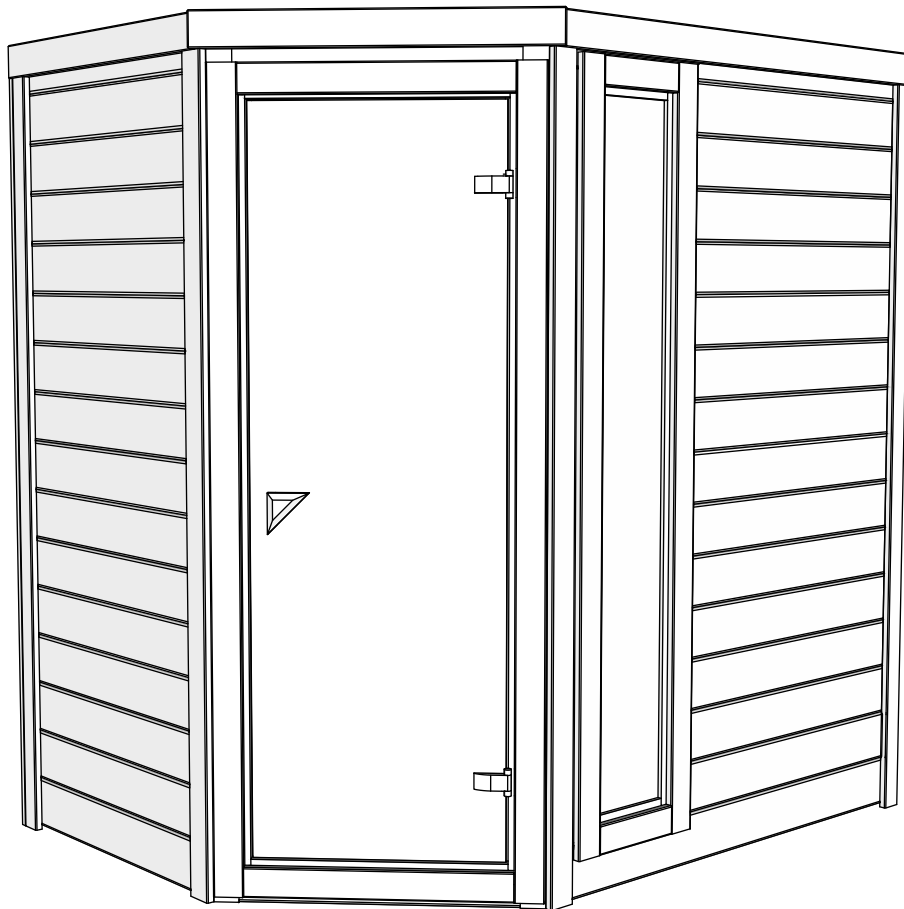


# *Assembly instructions*



## **List of items needed:**

Bubble level



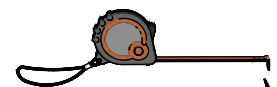
Drill



Rubber hammer

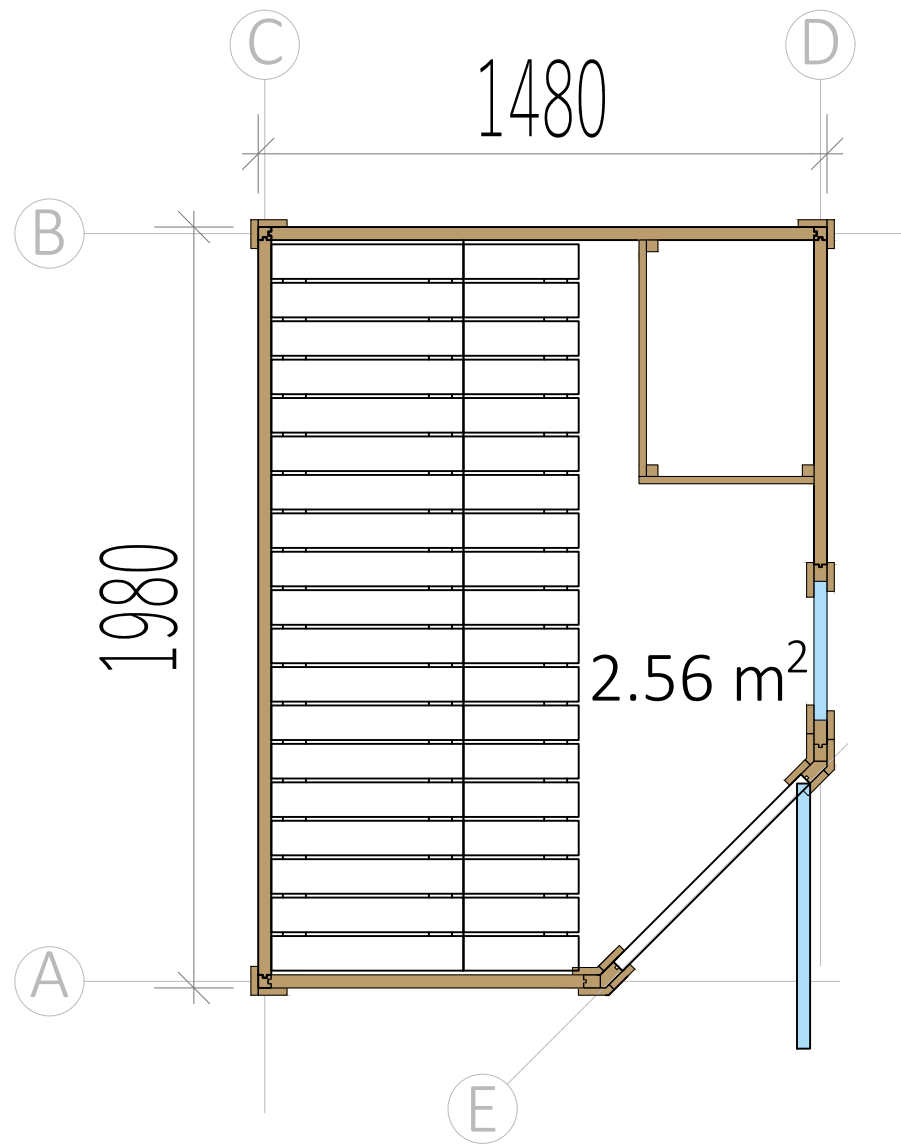


Measuring tape



Hammer

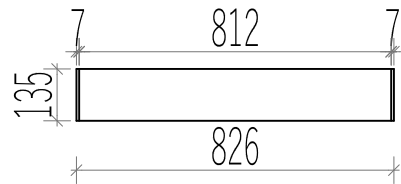




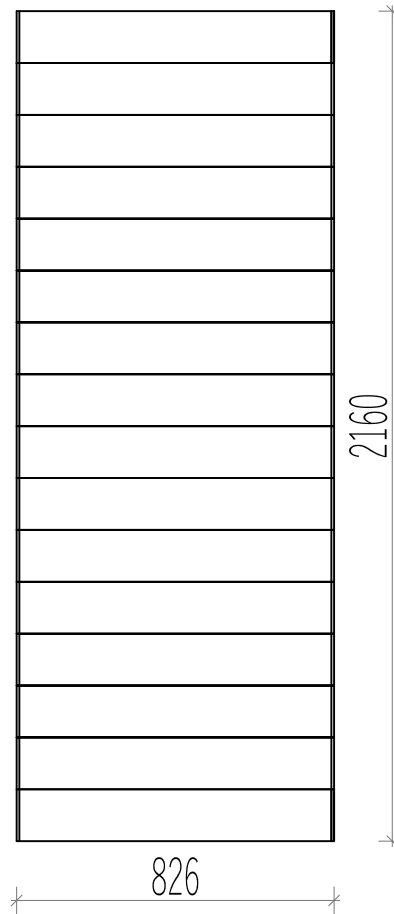
**A1**  
**15 vnt**

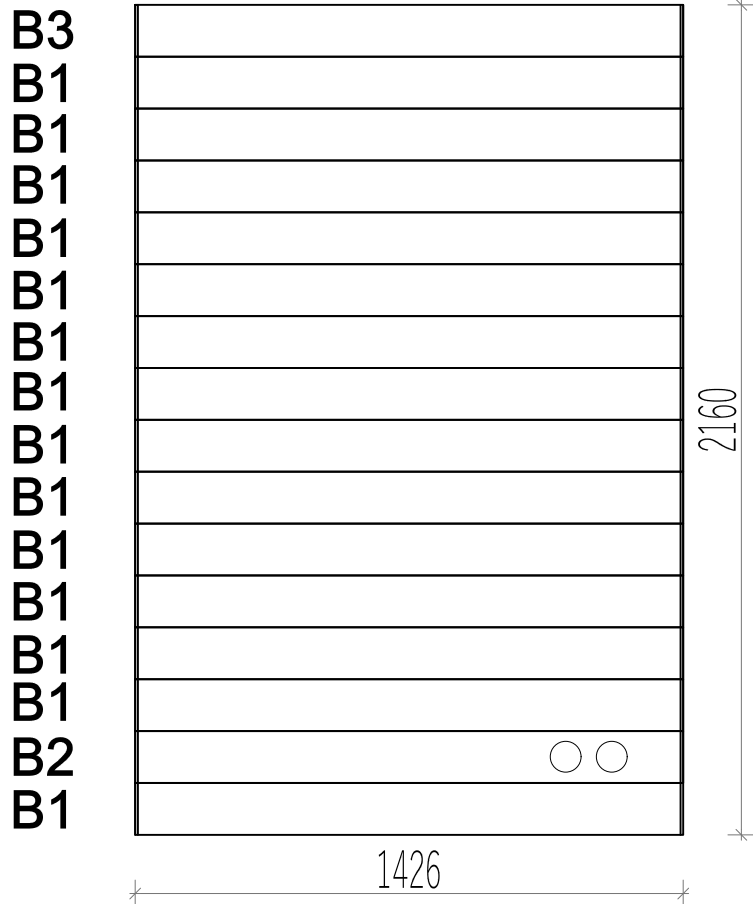
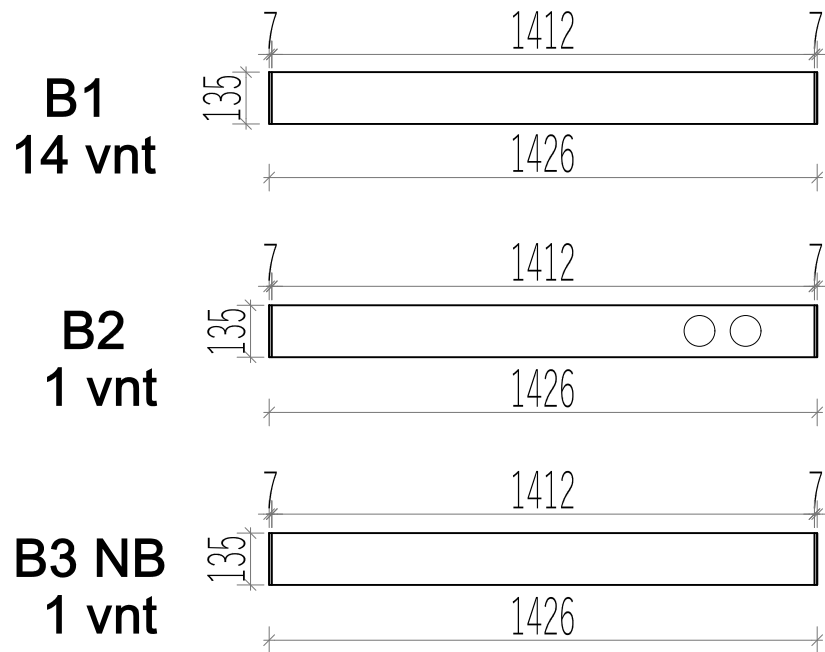


**A2 NB**  
**1 vnt**



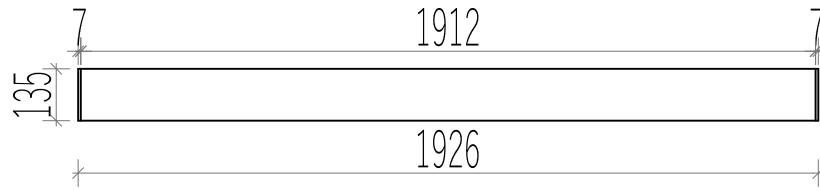
**A2**  
**A1**  
**A1**  
**A1**  
**A1**  
**A1**  
**A1**  
**A1**  
**A1**  
**A1**  
**A1**  
**A1**  
**A1**  
**A1**  
**A1**  
**A1**



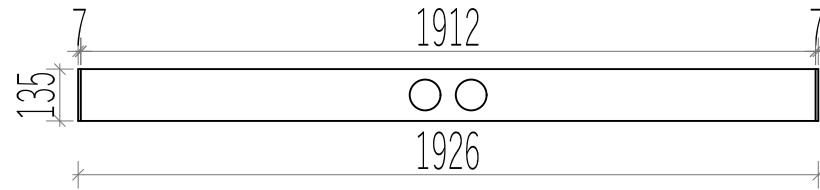




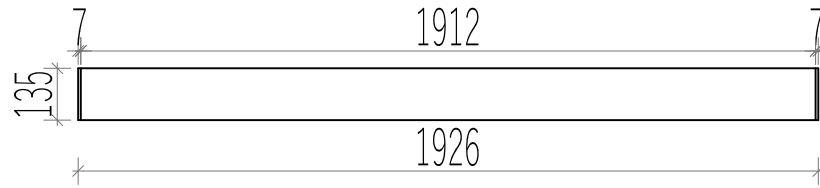
**C1**  
14 vnt



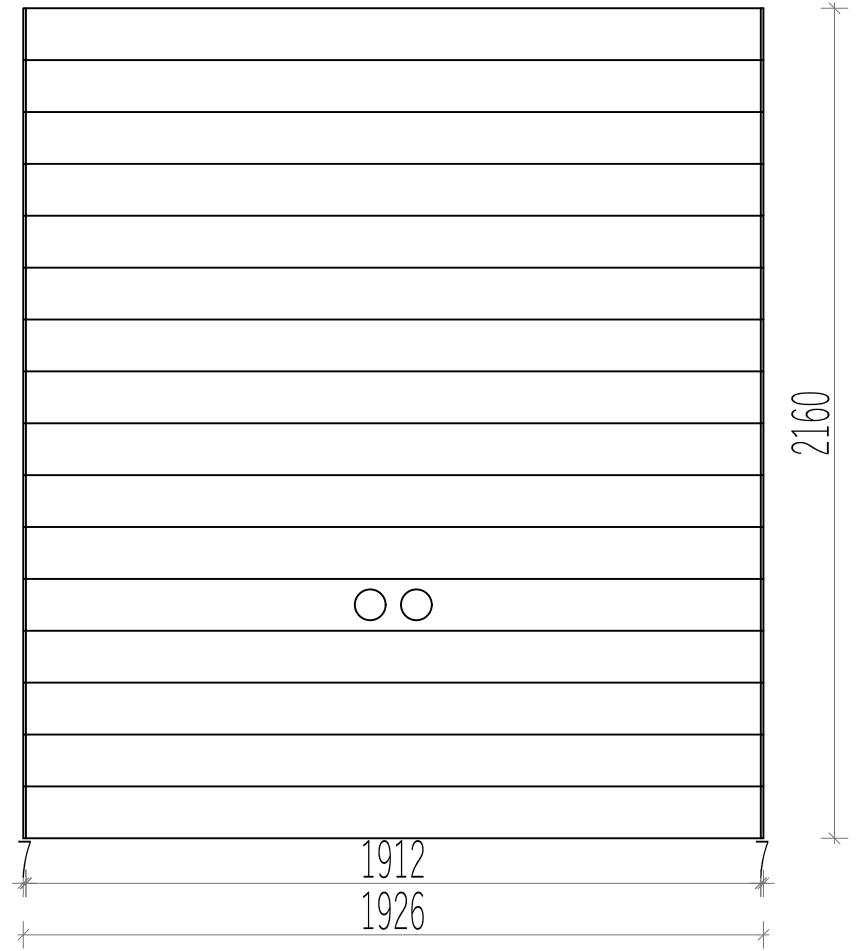
**C2**  
1 vnt



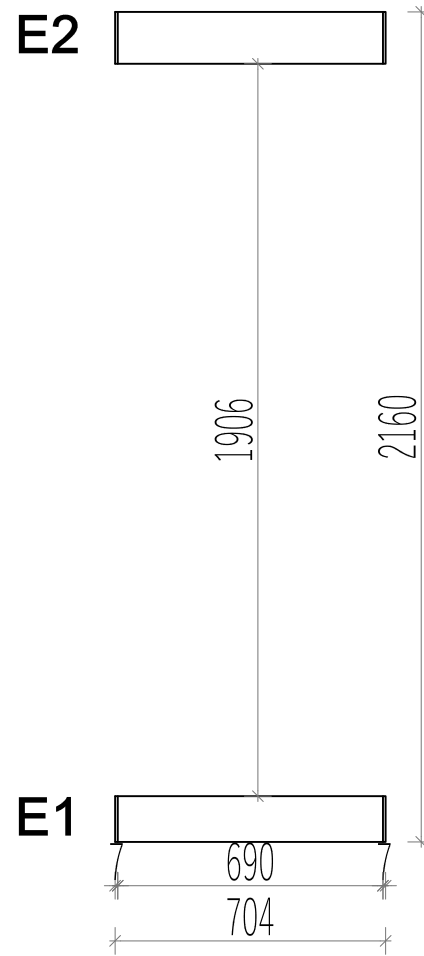
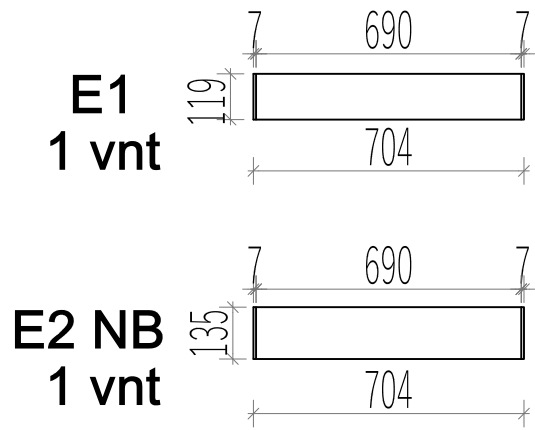
**C3 NB**  
1 vnt

































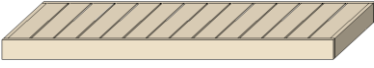





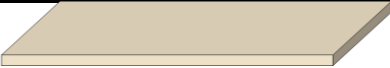

**C3**  
C1  
C1  
C1  
C1  
C1  
C1  
C1  
C1  
C1  
C1  
C2  
C1  
C1  
C1  
C1








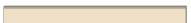



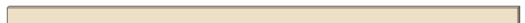

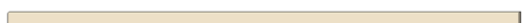







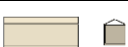





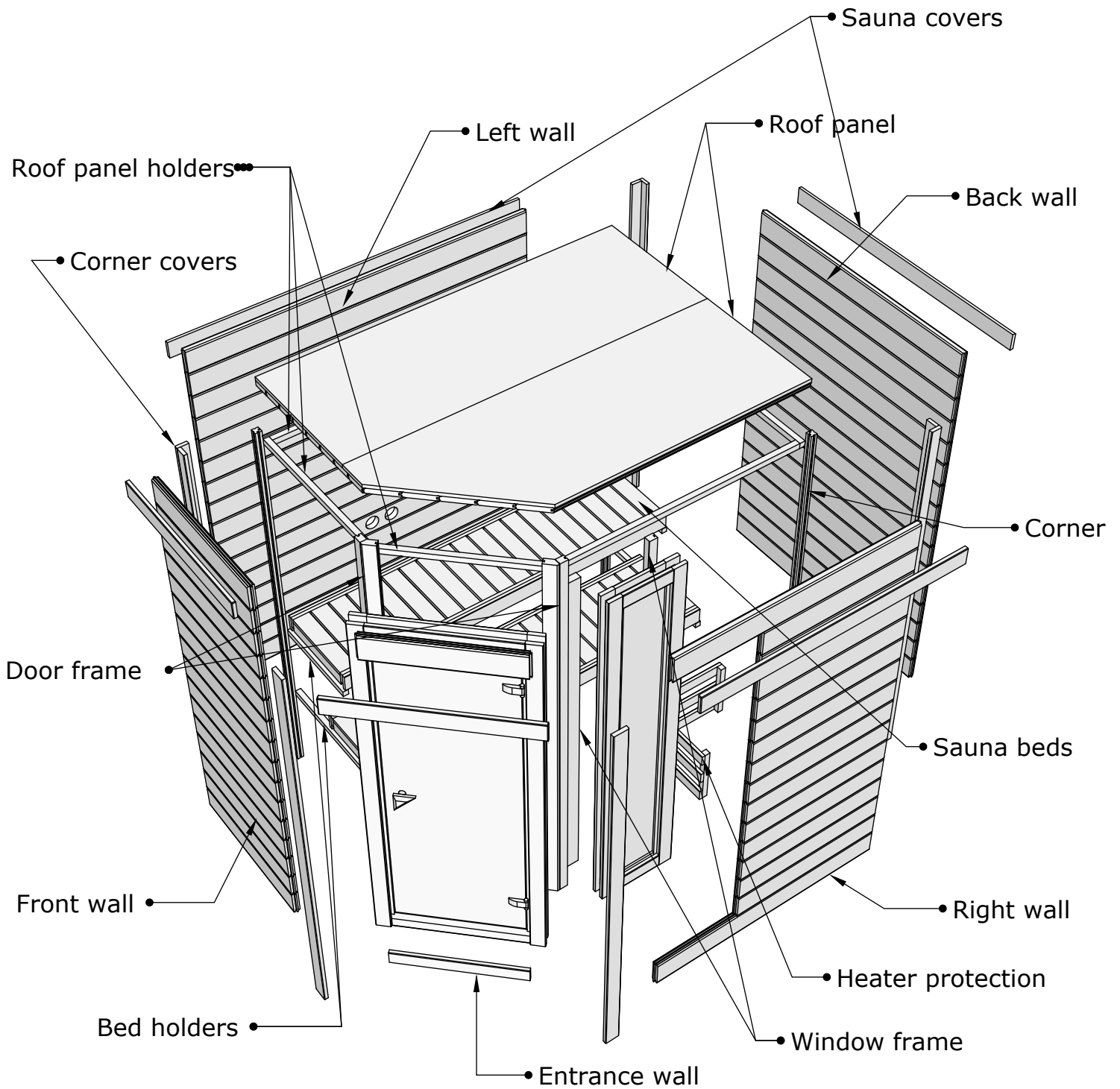


### Bergamot v.2 Sauna

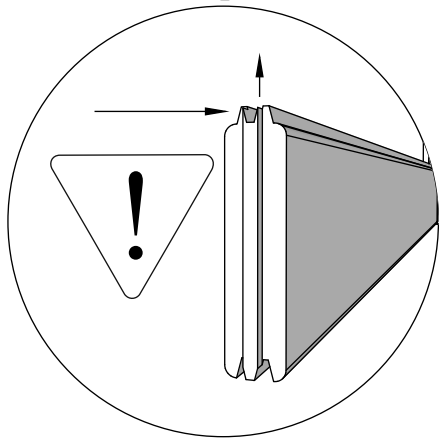
Name	Width	Height	Length	Quantity	3D Front Axonometry	Side view
<b>Front wall</b>						
A1	34	135	826	15		
A3	34	135	826	1		
<b>Back wall</b>						
B1	34	135	1426	14		
B2	34	135	1426	1		
B3	34	135	1426	1		
<b>Left wall</b>						
C1	34	135	1926	14		
C2	34	135	1926	1		
C3	34	135	1926	1		
<b>Right wall</b>						
D1	34	135	1326	1		
D2	34	135	858	14		
D3	34	135	1326	1		
<b>Entrance wall</b>						
E1	34	119	704	1		
E2	34	135	704	1		
<b>Heater protection parts</b>						
Heater cover	615	500	-	1		
Heater cover	455	500	-	1		
<b>Sauna beds</b>						
Sauna bed	500	90	1900	2		
<b>Bed holders</b>						
Bed holder	30	30	500	2		
Bed holder	30	30	800	2		
<b>Roof of sauna</b>						
Roof panels	700	50	1900	2		

Roof panel holders						
Panel holder	30	30	785	1		
Panel holder	30	30	825	1		
Panel holder	30	30	1324	1		
Panel holder	30	30	1380	1		
Panel holder	30	30	1910	1		
Sauna Corners						
Corners	34	34	2160	3		⊞
Corner covers						
Covers	75	19	2085	6		
Crown for roof covering						
Cover	90	19	890	1		
Cover	90	19	910	1		
Cover	90	19	1400	1		
Cover	90	19	1500	1		
Cover	90	19	1980	1		
Door corner cover						
Spec. part	21	80	2085	2		⌋
Spec. part	26	92	2085	2		⌋
Brackets for doors and windows						
Frame bracket	34	44	1881	1		⌋
Frame bracket	34	44	2160	2		
Frame bracket	34	70	1881	1		
Cover for heater wires						
Wire cover	140	34	1820	1		⌋
Door frame						
Frame bracket	34	70	2160	2		⌋
Doors and windows						
Sauna door	690	1912	-	1		
Sauna window	361	1890	-	1		
Other accessories for sauna building						
Box of screws	-	-	-	1		
Sealing tape	-	-	-	1		

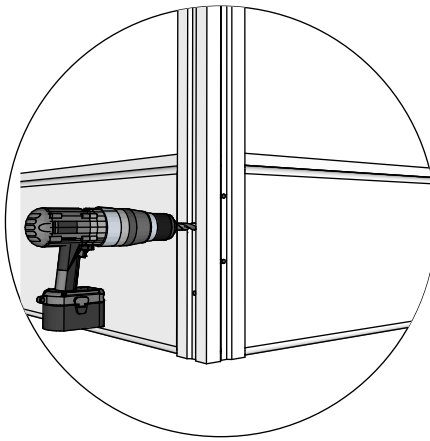
# *Introduction of sauna parts*



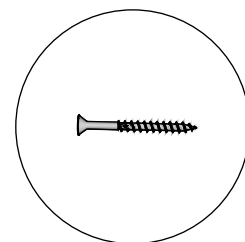
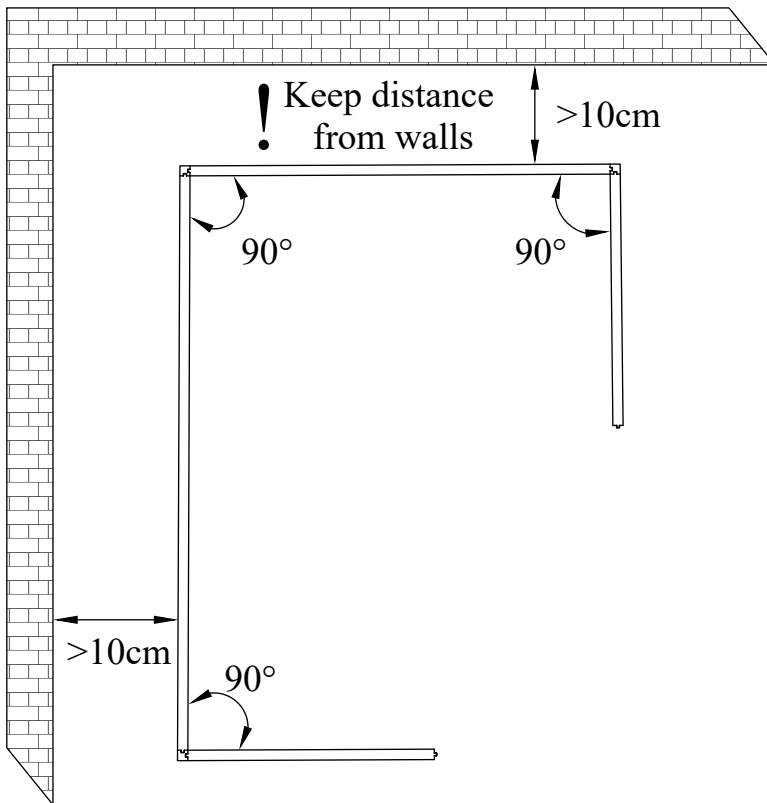
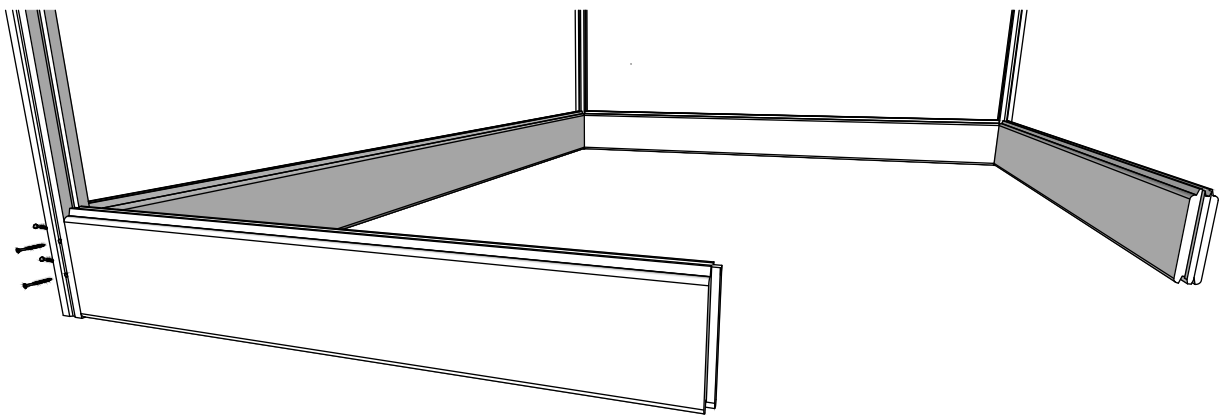
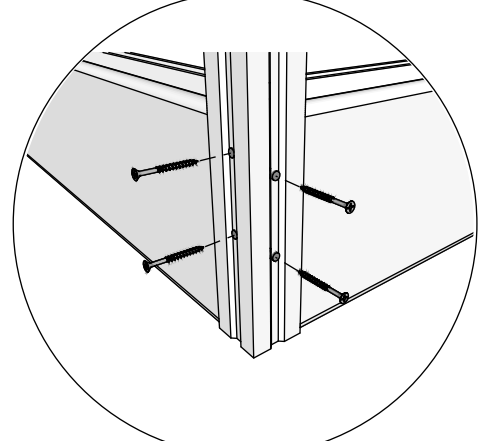
Pay attention to the position of the part



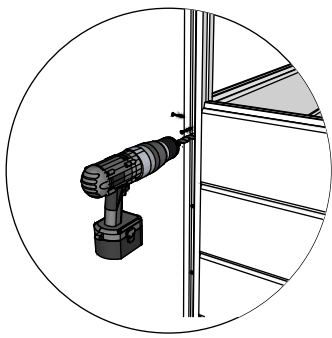
Pre-drill holes for screws



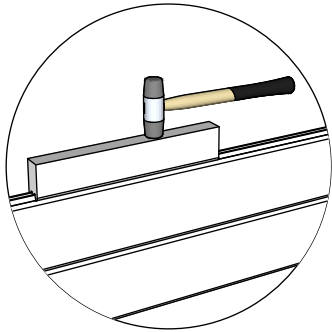
Drive the screw in pre-drilled holes



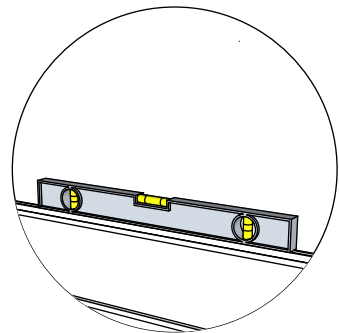
5x80mm for fastening corners to walls



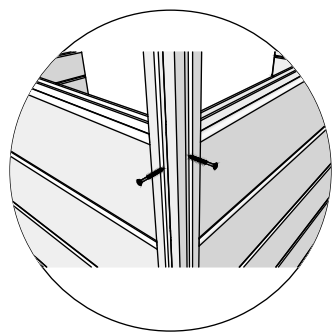
Pre-drill holes  
for screws



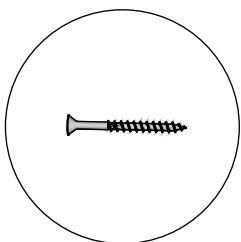
Use rubber hammer  
for wall parts



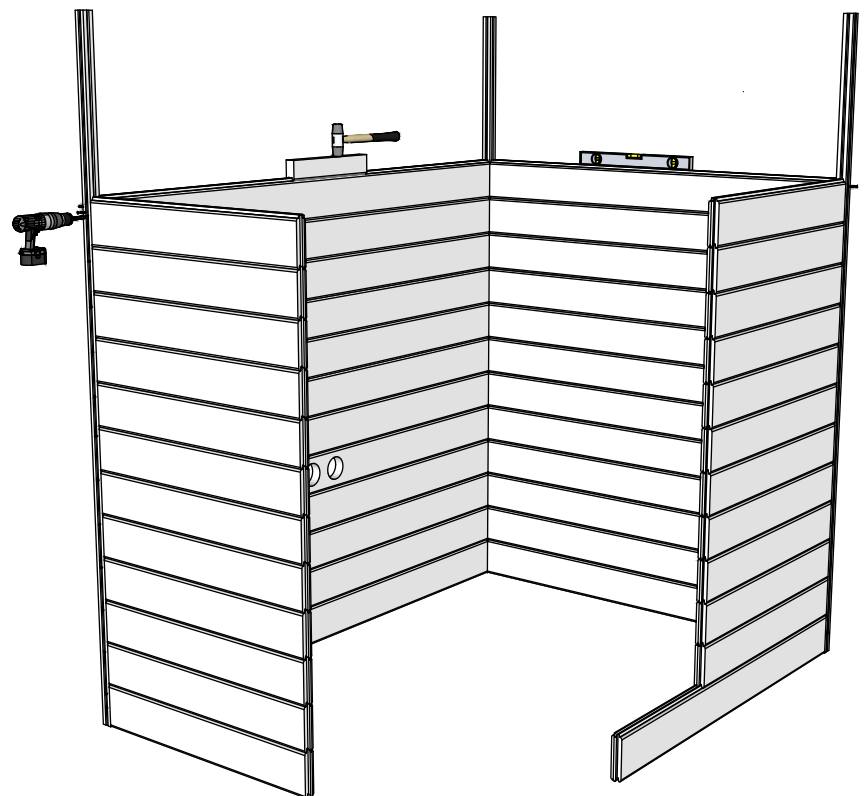
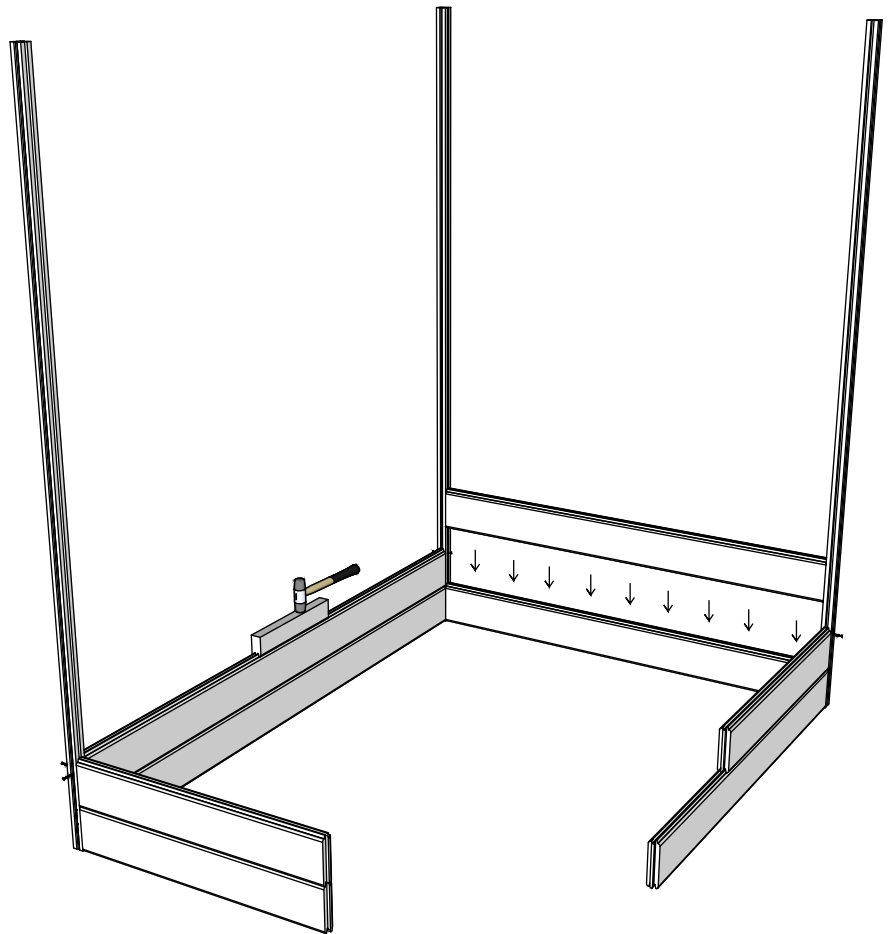
Make sure to level for  
better building accuracy



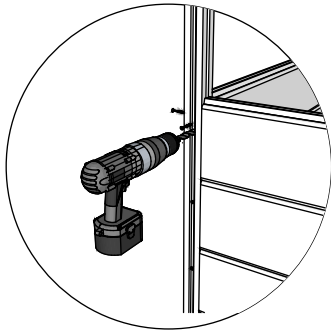
Drive the screw in pre-  
drilled holes



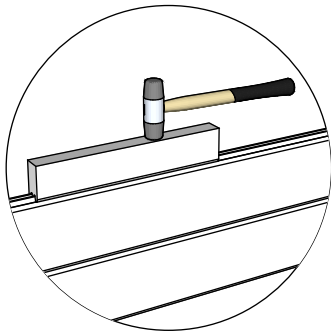
5x80mm for fastening  
corners to walls



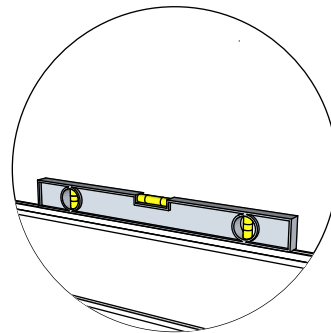




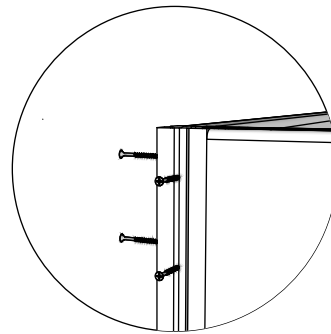
Pre-drill holes  
for screws



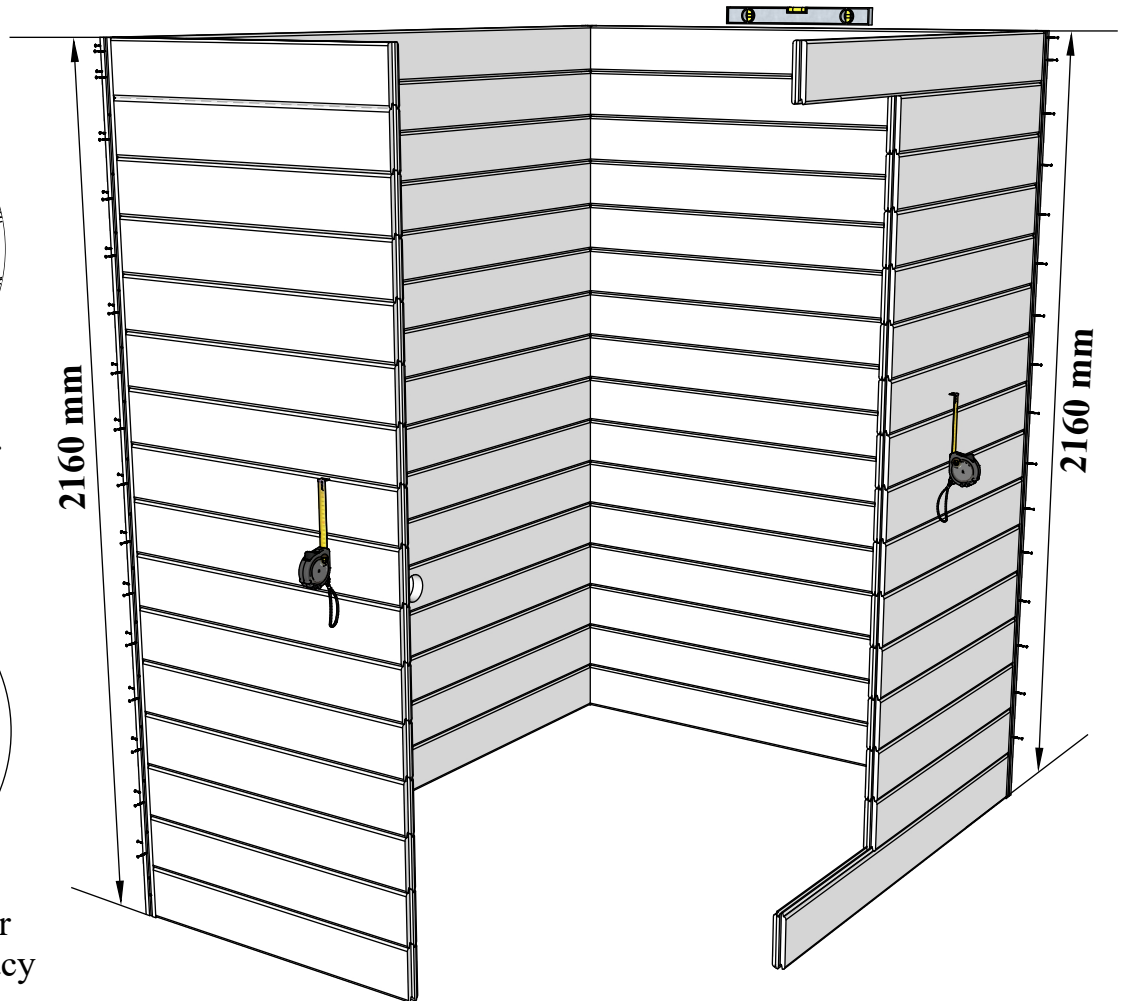
Use rubber hammer  
for wall parts



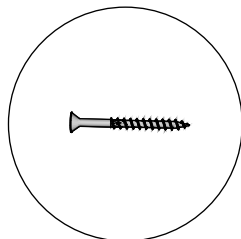
Make sure to level for  
better building accuracy



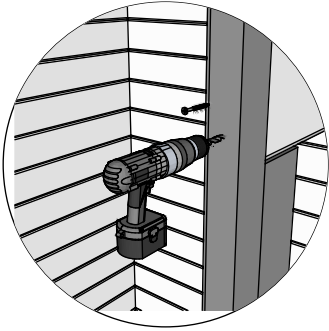
Drive the screw in pre-  
drilled holes



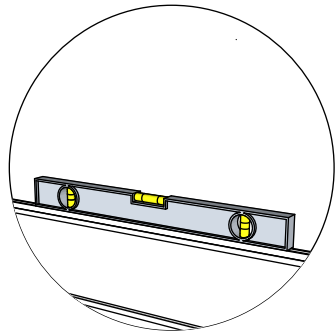
**Make sure that the height of the sauna is 2160 mm**



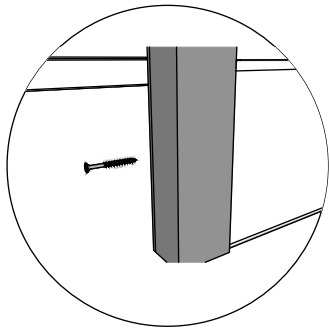
5x80mm for fastening  
corners to walls



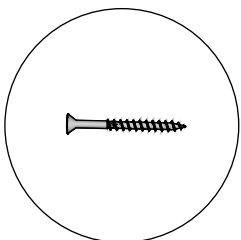
Pre-drill holes  
for screws



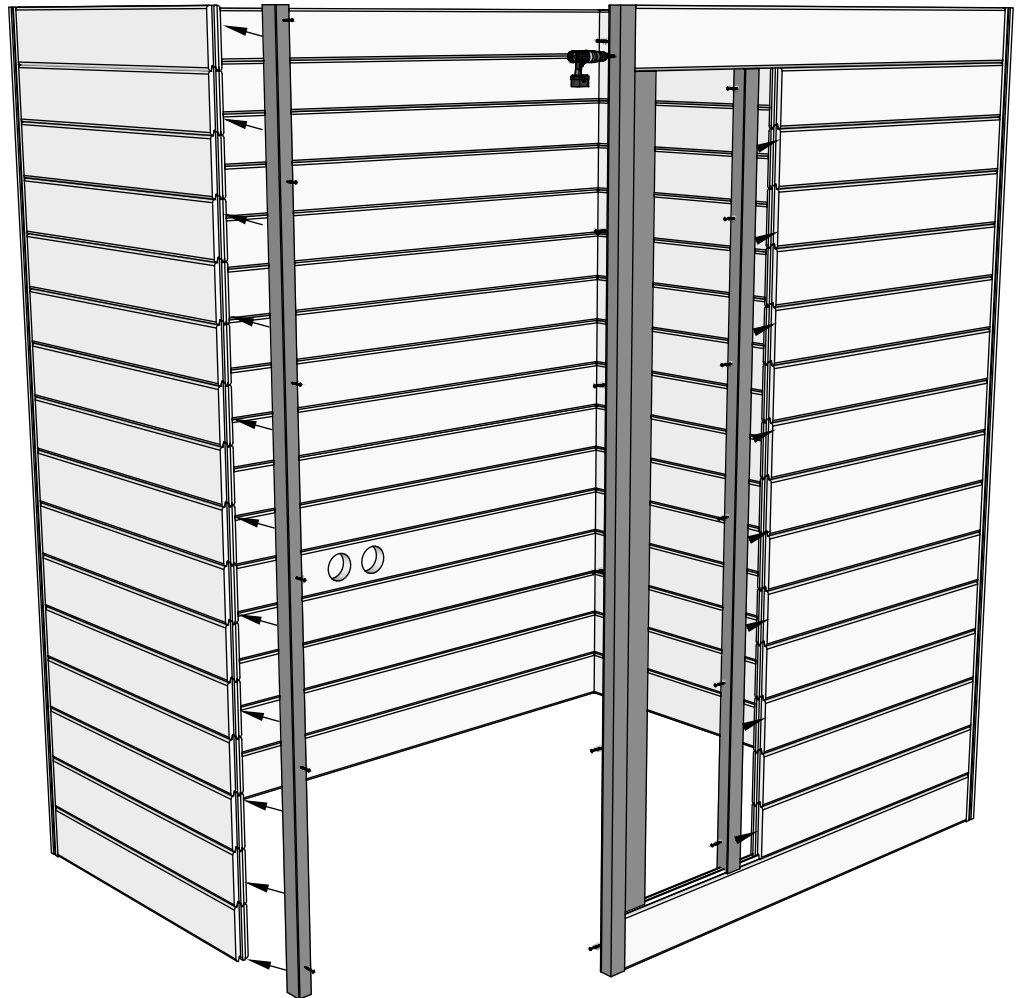
Make sure to level for  
better building accuracy



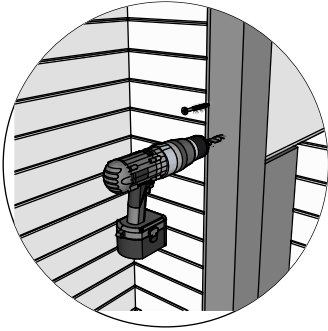
Drive the screw in pre-drilled  
holes on the frame brackets



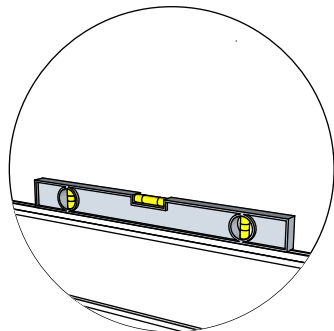
5x100mm for door/window frame  
brackets



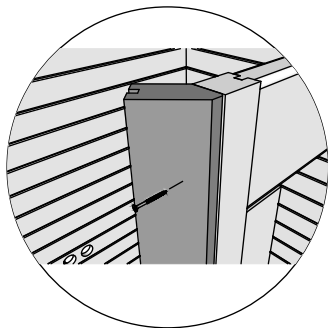
- 1. Install the door and window frame brackets in the locations indicated on the original plan.**
- 2. Pre-drill holes for screws**
- 3. Drive the screw in pre-drilled hole**



Pre-drill holes  
for screws



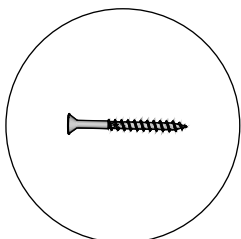
Make sure to level for  
better building accuracy



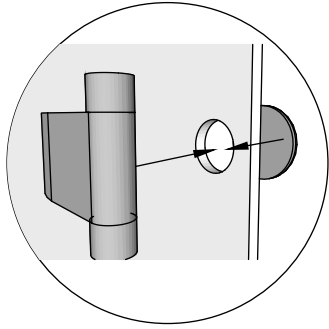
Drive the screw in pre-drilled  
holes on the frame brackets



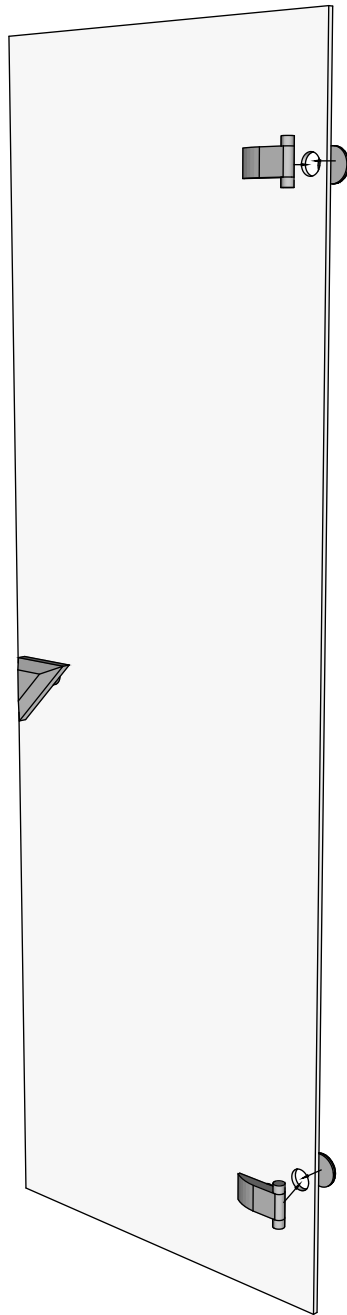
- 1. Install the door frame brackets (which is cut 45°) in the opening where door frame bracket is.**
- 2. Pre-drill holes for screws**
- 3. Drive the screw in pre-drilled hole**
- 4. Don't forget to place entrance wall bottom part.**



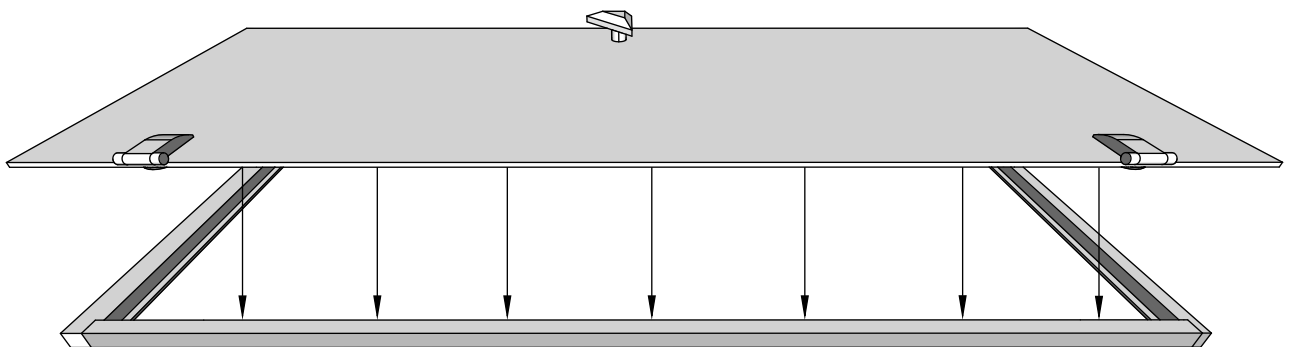
5x100mm for 45 degree door frame  
brackets



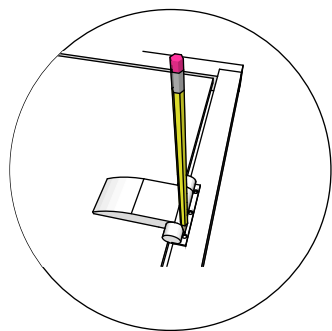
Insert the hinges into the door glass



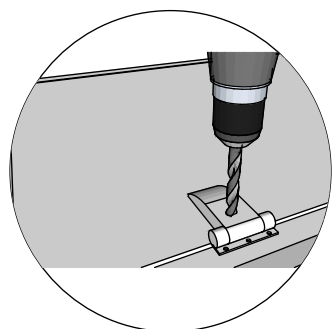
- 1. Insert the hinges into the door glass.**
- 2. After that put the door glass in the door frame that is factory assembled**



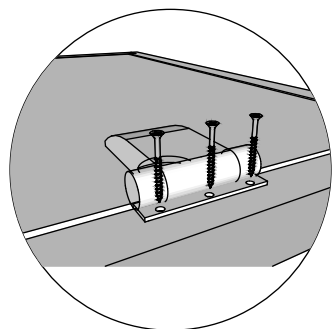
**! Make sure the glass is centered between the door frame**



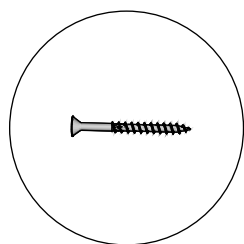
Mark places for drilling



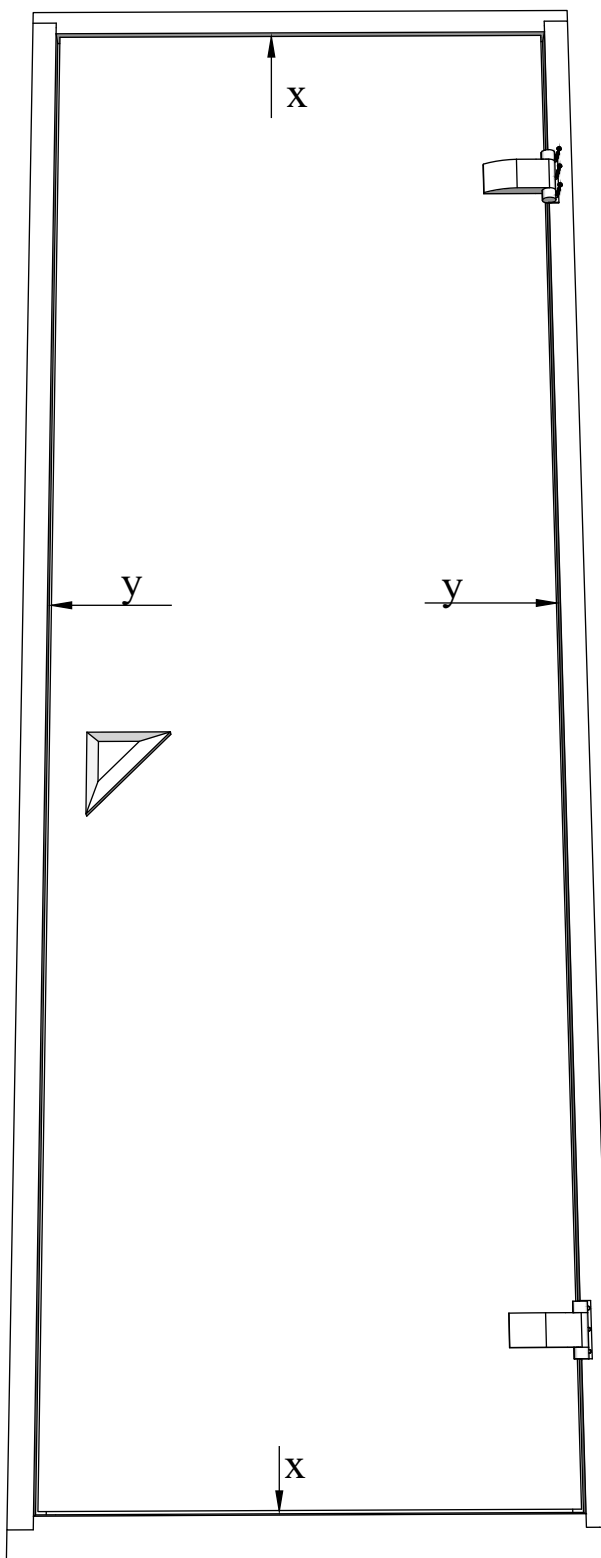
Drill the marked points for the hinges



Screw hinges to door frame

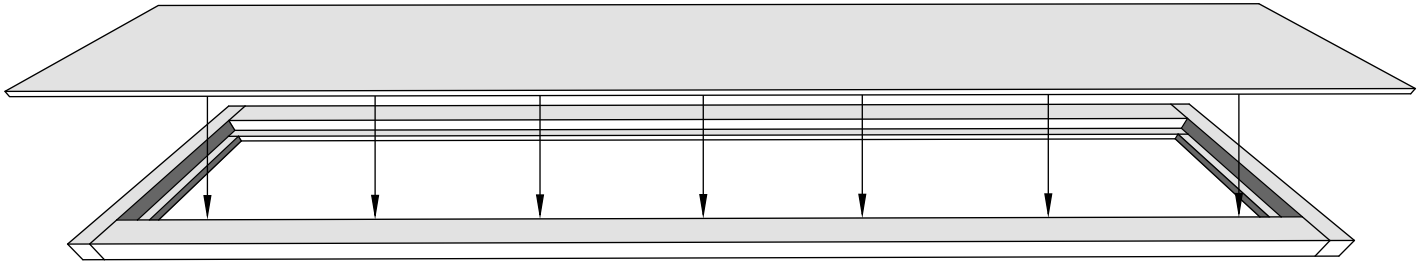


3x35mm for fastening hinges

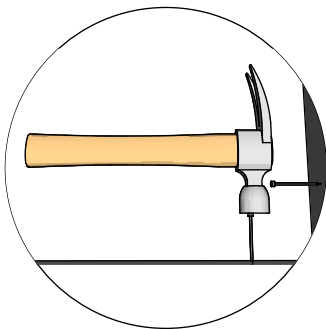
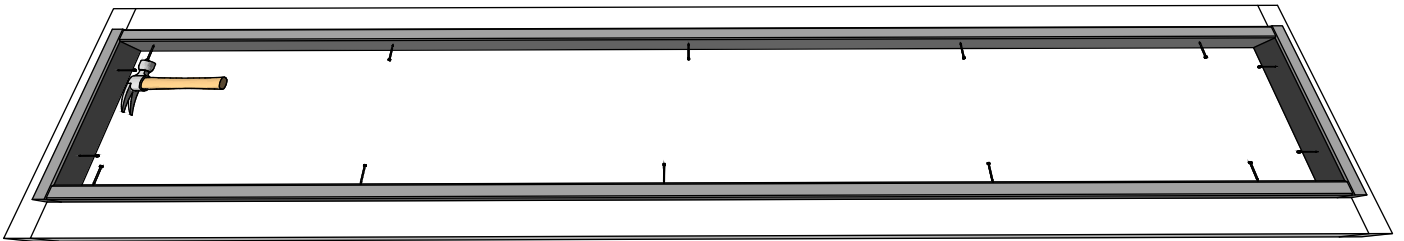


$x=x$

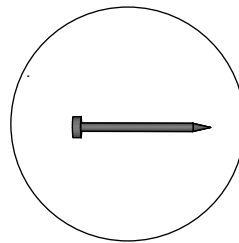
$y=y$



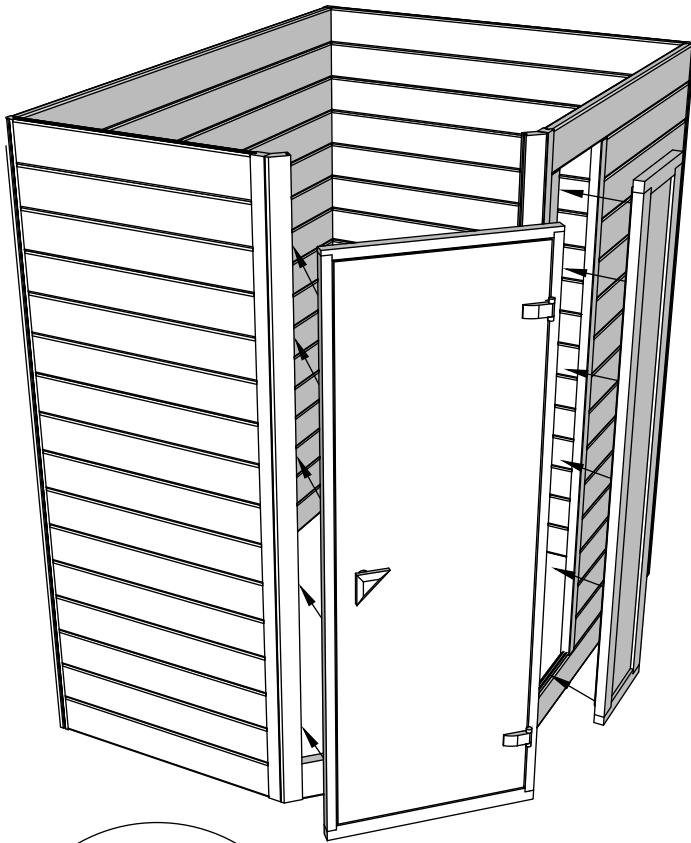
- 1. Put the glass in the frame brackets**
- 2. Center the glass**
- 3. Nail the window surrounds to the frame**



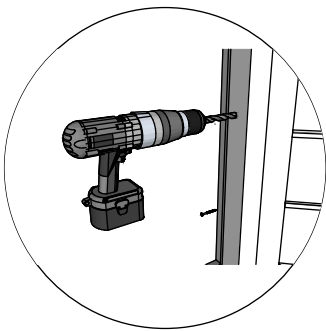
Nail the window surrounds to the frame



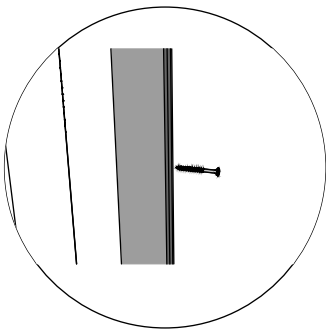
2x30mm glass covers



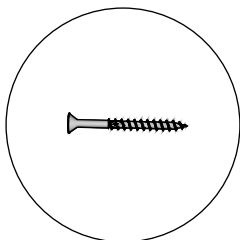
**Place the door and window in  
between the frame you attached  
earlier**



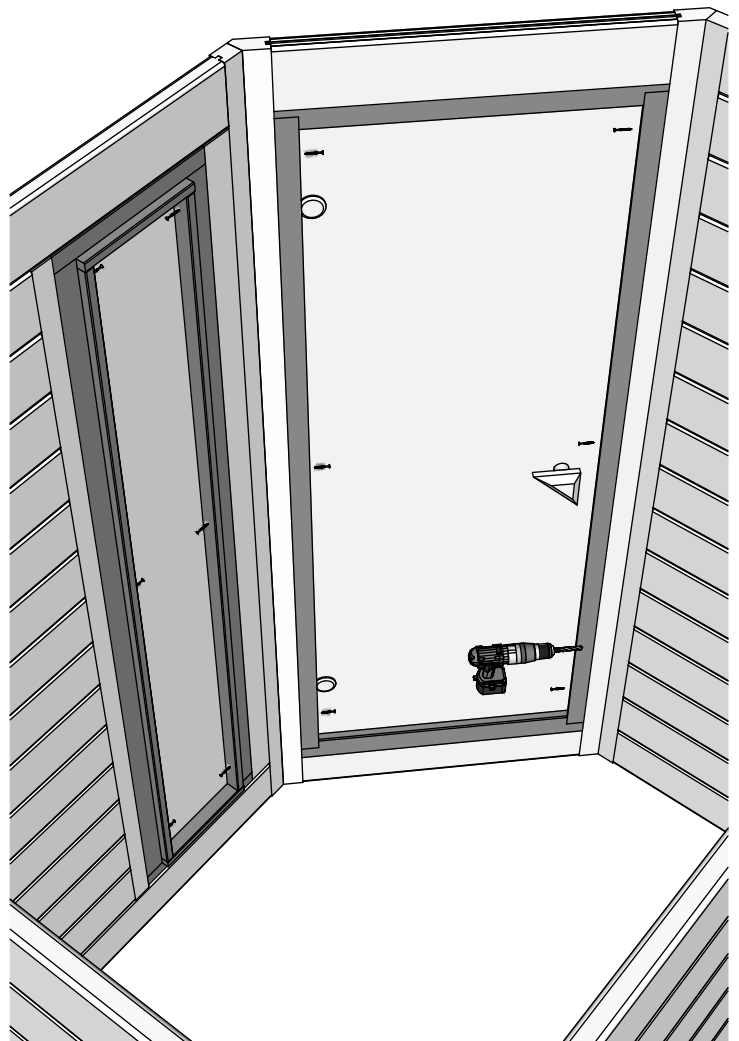
**Pre-drill holes  
for screws**

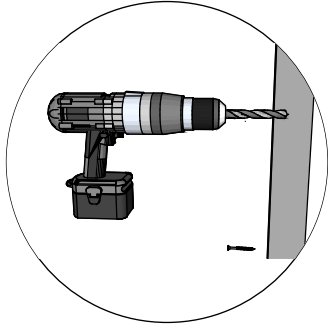


**Drive the screw in pre-  
drilled hole**

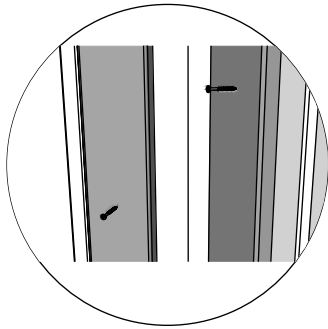


**5x100mm for fastening door  
frame**

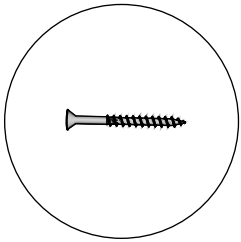




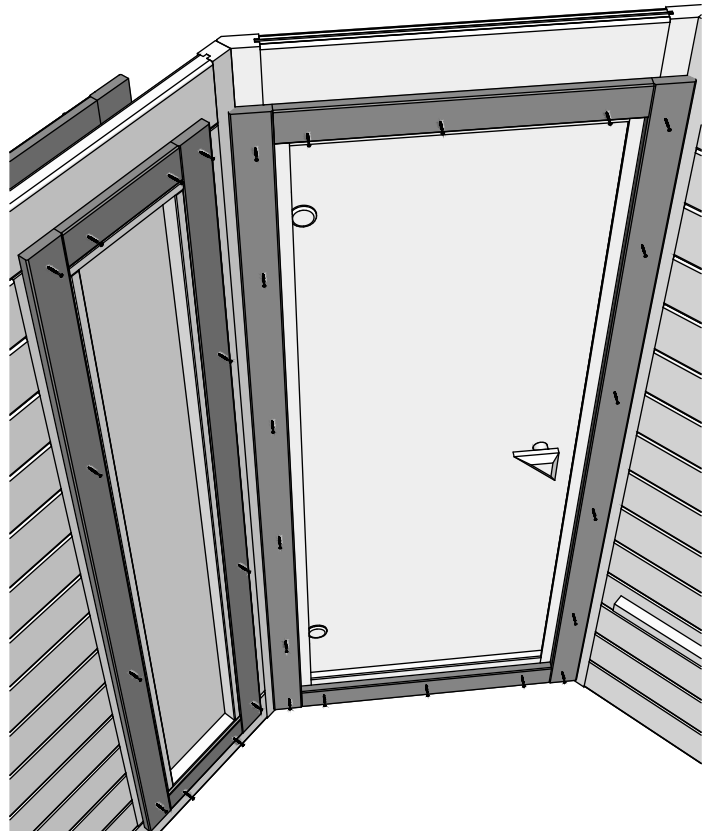
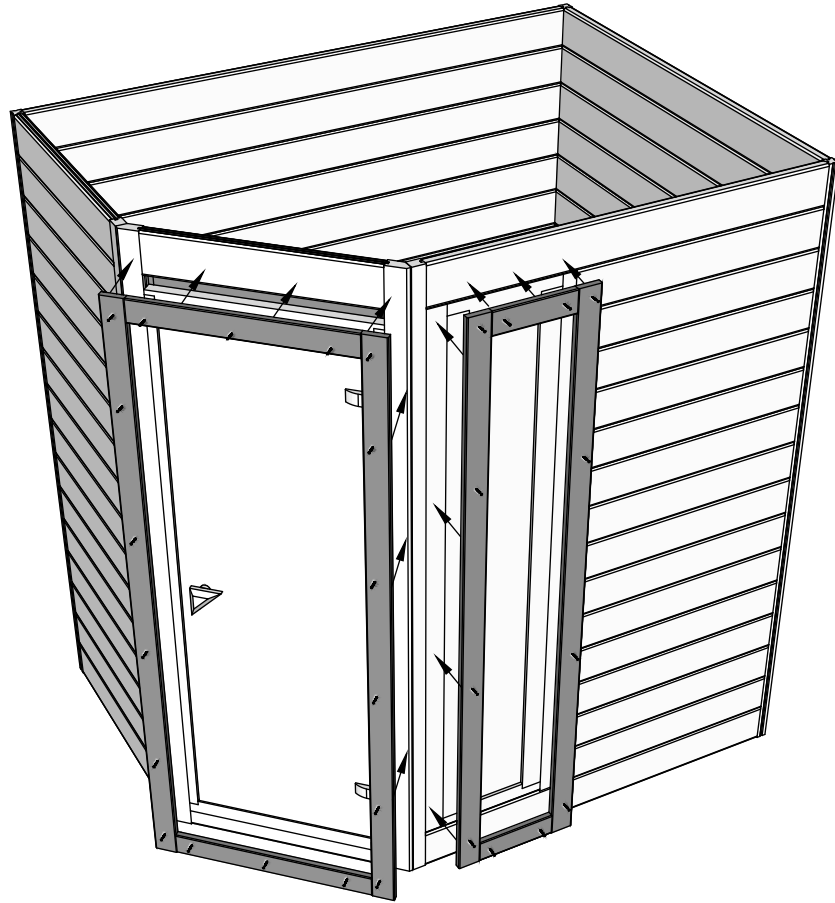
Pre-drill holes  
for screws



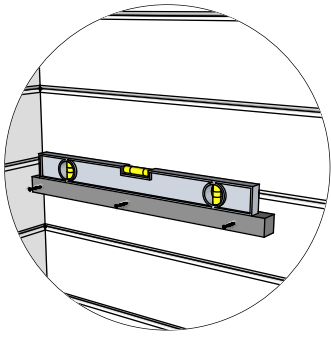
Drive the screw in pre-  
drilled hole



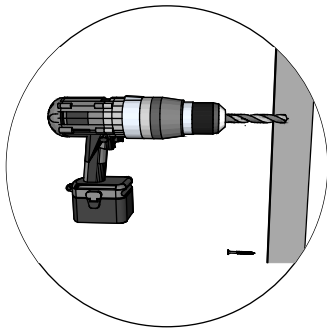
3x35mm for fastening door and  
window frame covers



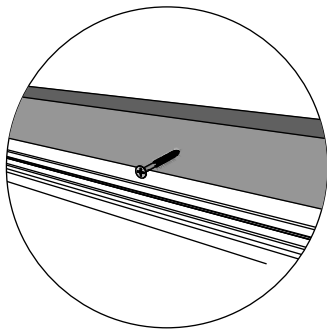




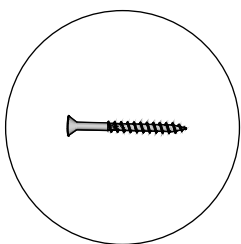
Make sure to level when installing bed holders



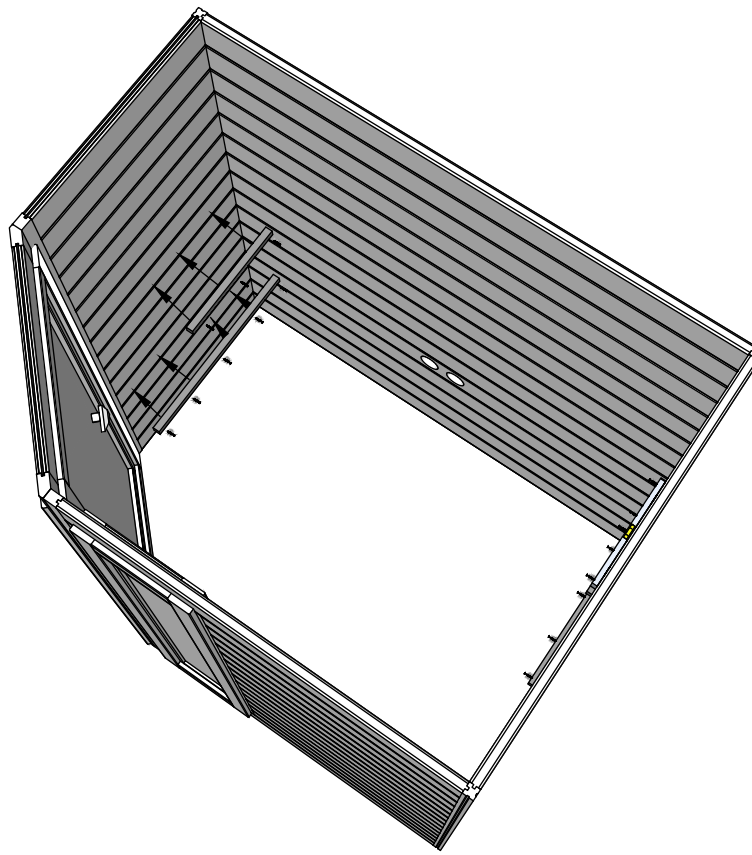
Pre-drill holes for screws



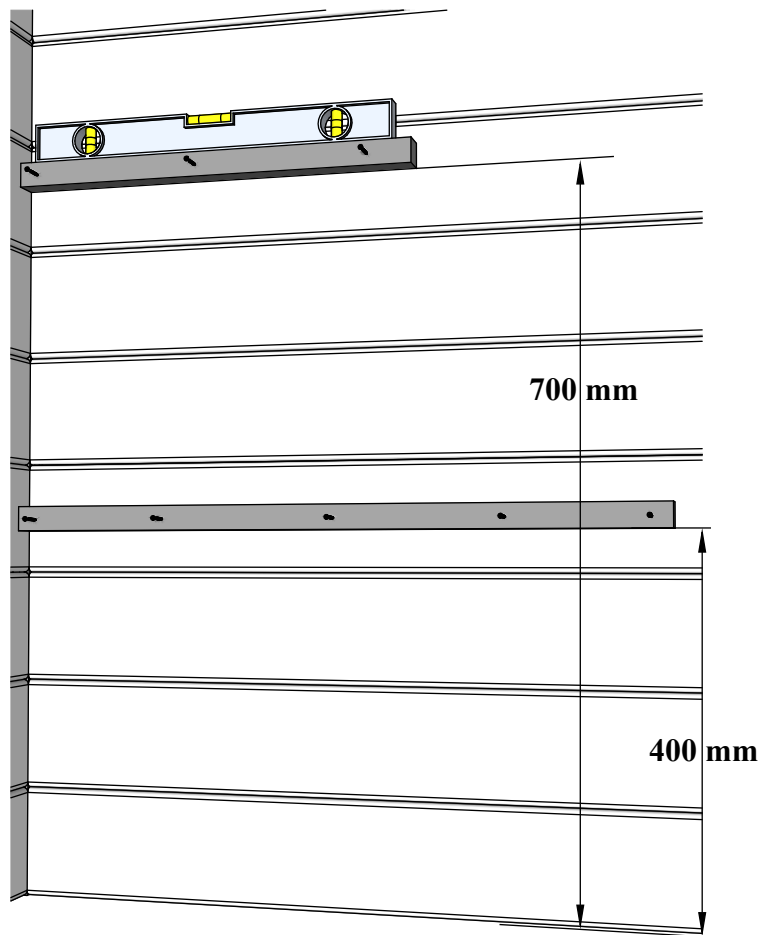
Drive the screw in pre-drilled hole

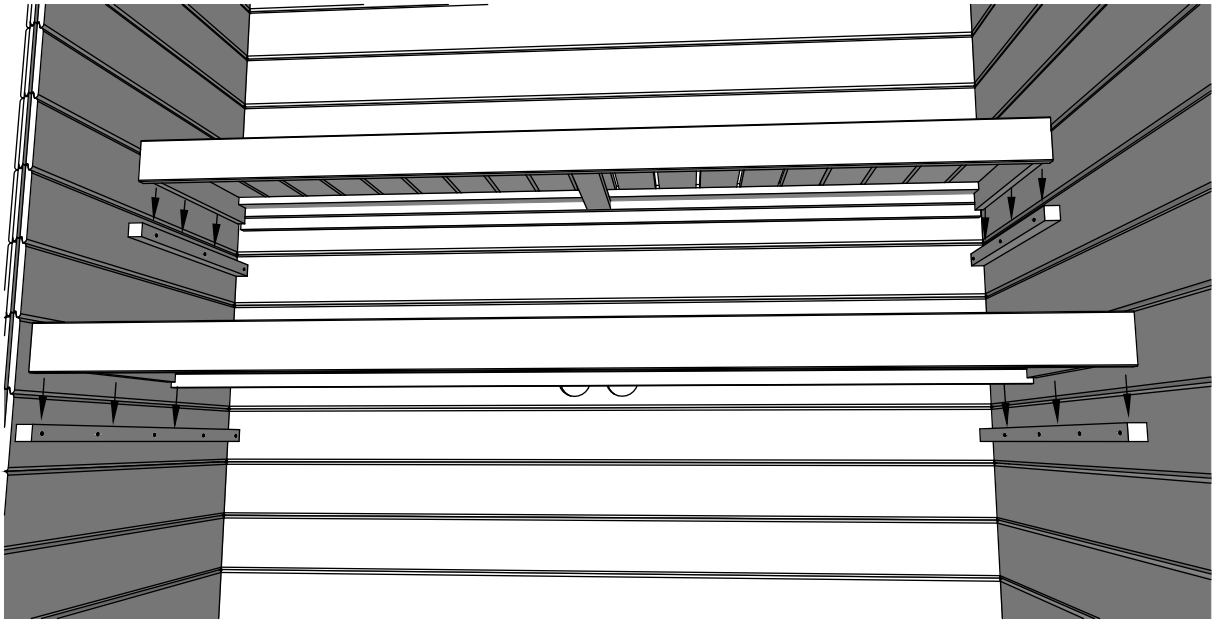


5x55mm for fastening bed holders

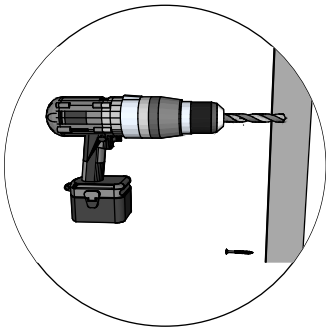


The recommended height for bed holder installation is 700mm for upper bed holder and 400mm for lower bed holder, but you can customize it according to you

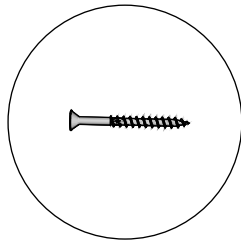




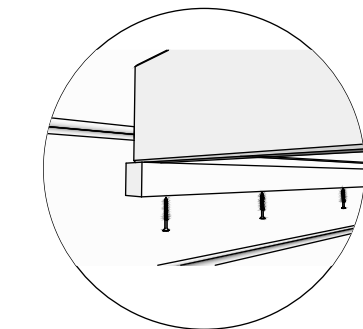
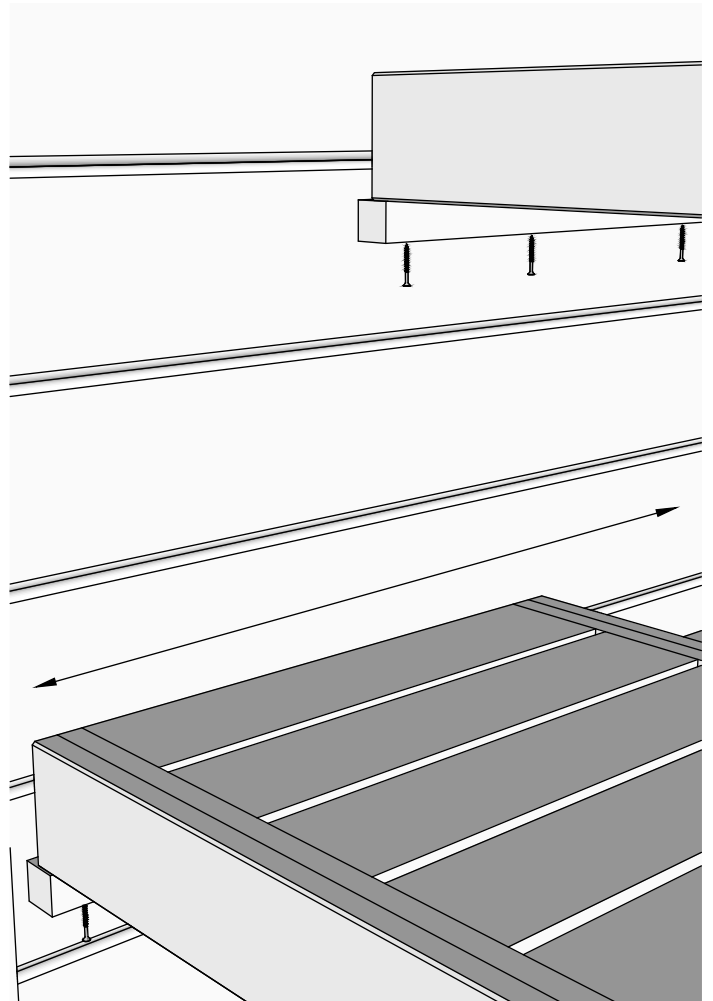
**Place the upper sauna bed on the holder and fasten with screws.  
We recommend to leave the lower sauna bed loose so you can adjust it  
if needed**



Pre-drill holes  
for screws

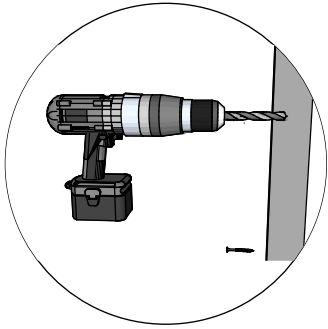


5x55mm for  
fastening sauna  
beds

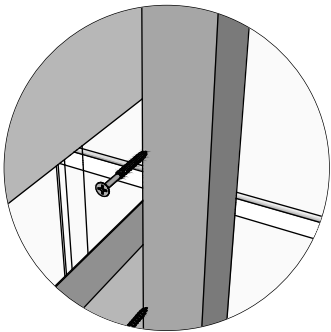


Use screws to fasten sauna  
bed in pre-drilled holes

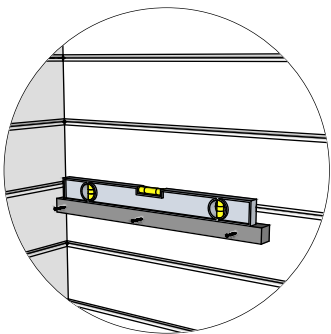
# Sauna heater protection assemble and installation



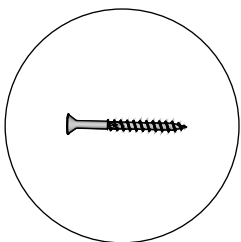
Pre-drill holes  
for screws



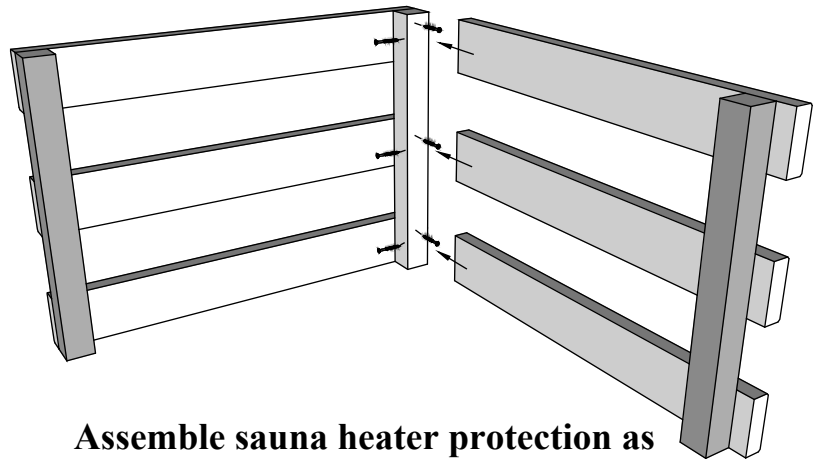
Drive the screw in pre-  
drilled hole



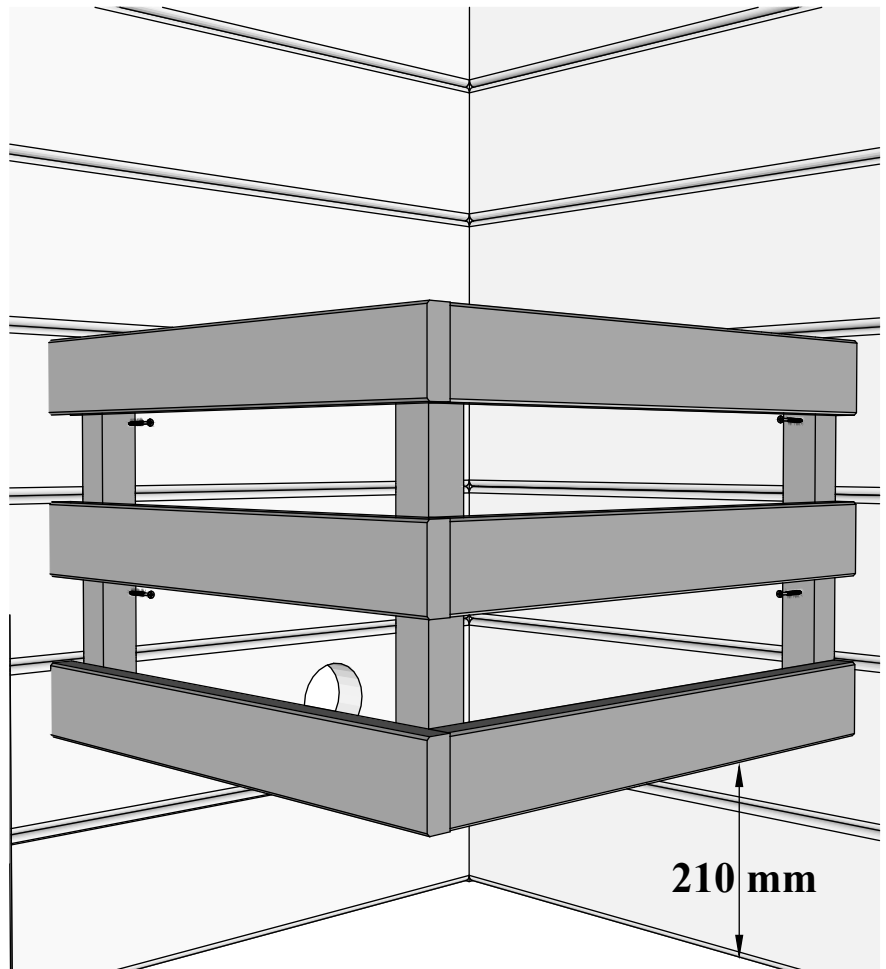
Make sure to level when  
installing heater protection



4x45mm for fastening sauna  
heater protection  
4x45mm for fastening sauna  
heater protection to wall

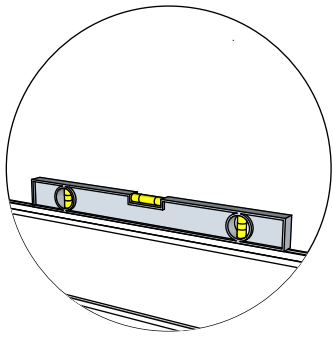


Assemble sauna heater protection as  
shown in the picture above

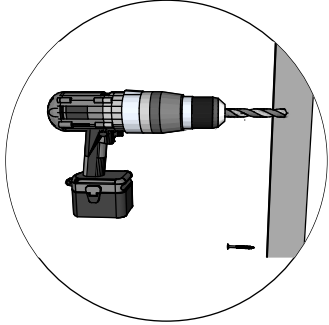


If possible, adjust the height of the heater protection  
according to the heater purchased. If not use default  
installation height.

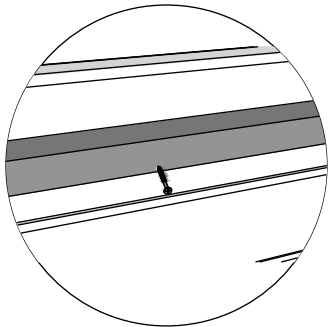
Default installation height of heating protection is  
210 mm above floor level.



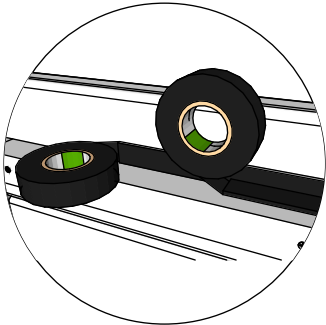
Make sure to level for better building accuracy



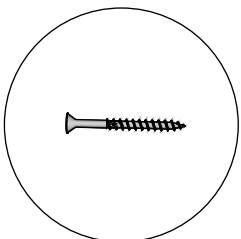
Pre-drill holes for screws



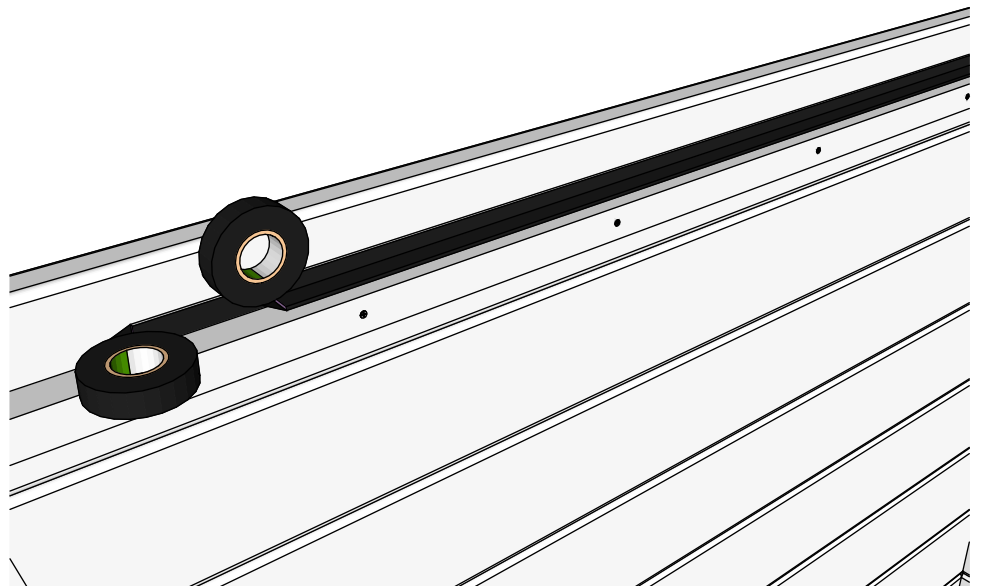
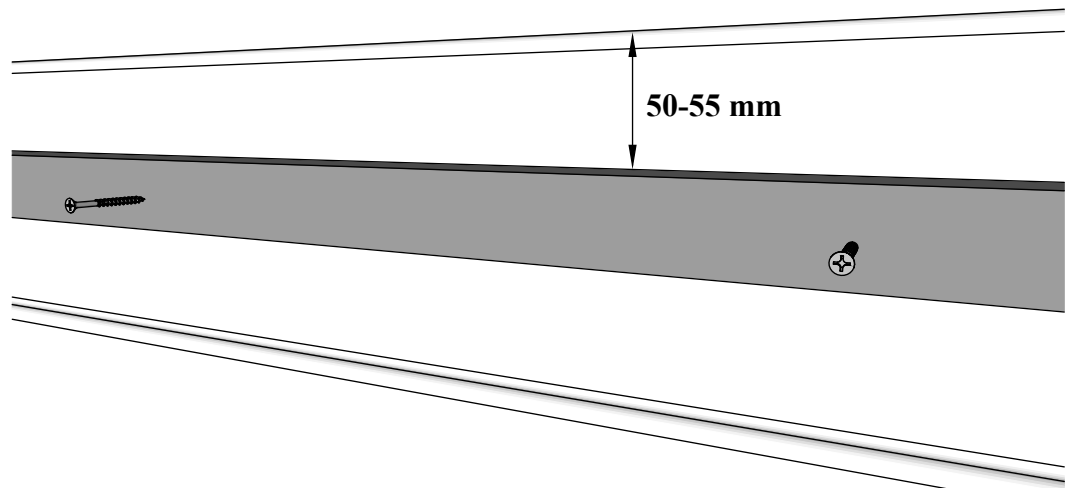
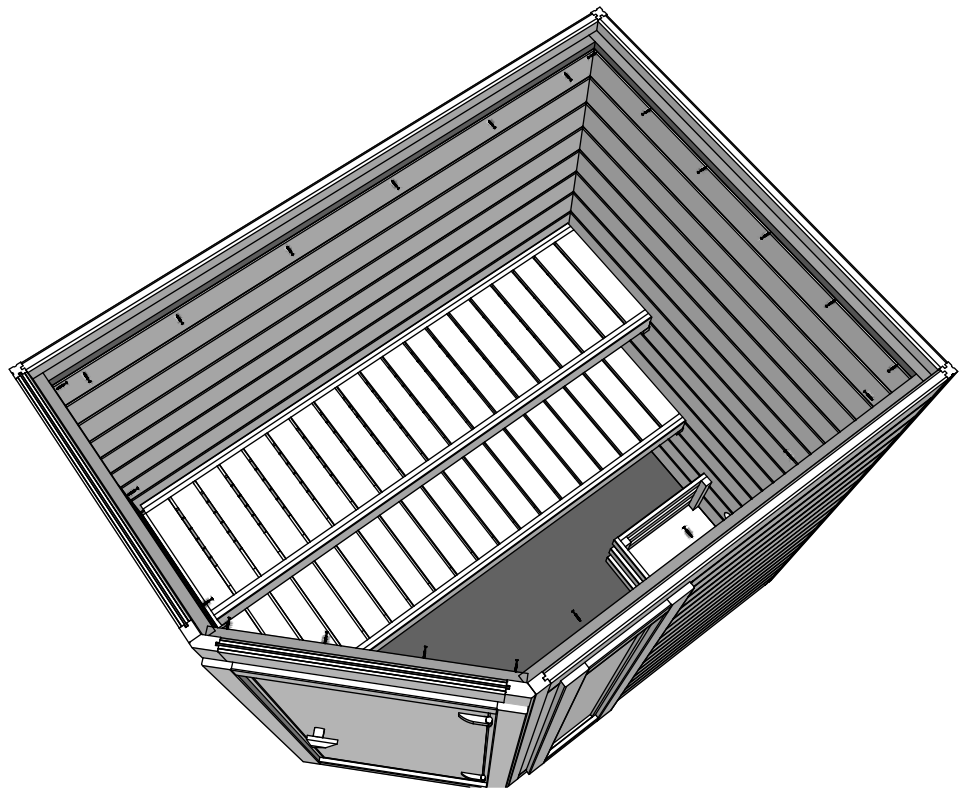
Drive the screw in pre-drilled hole

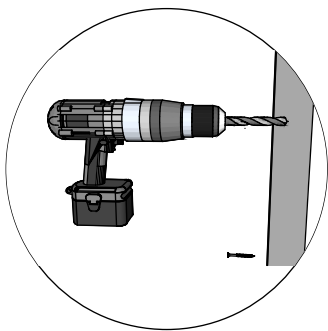
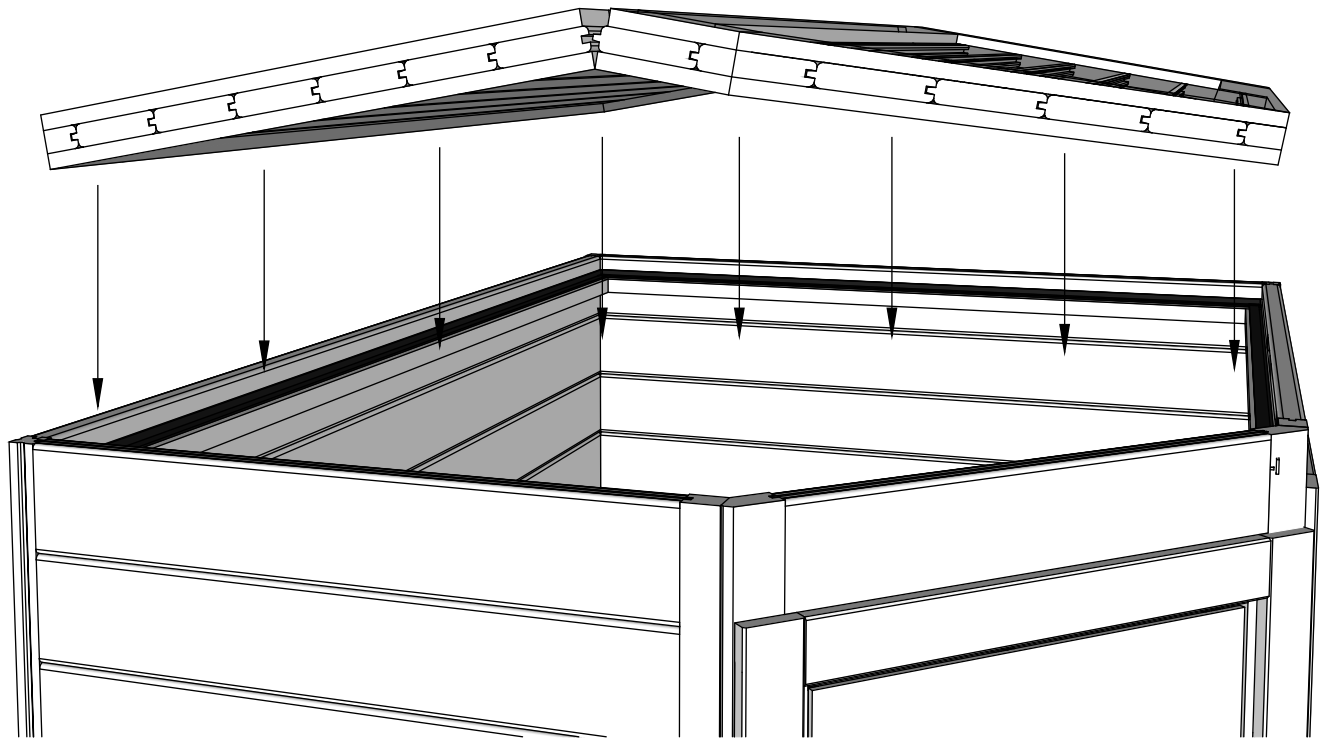


Apply sealing tape on roof panel holders

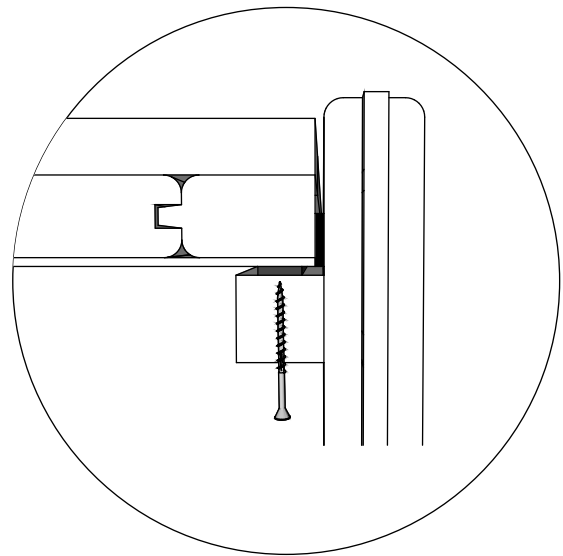


4x45mm for fastening panel holders

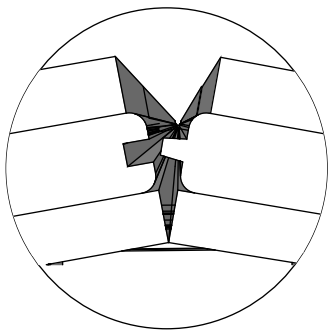




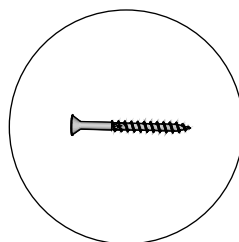
Pre-drill holes  
for screws



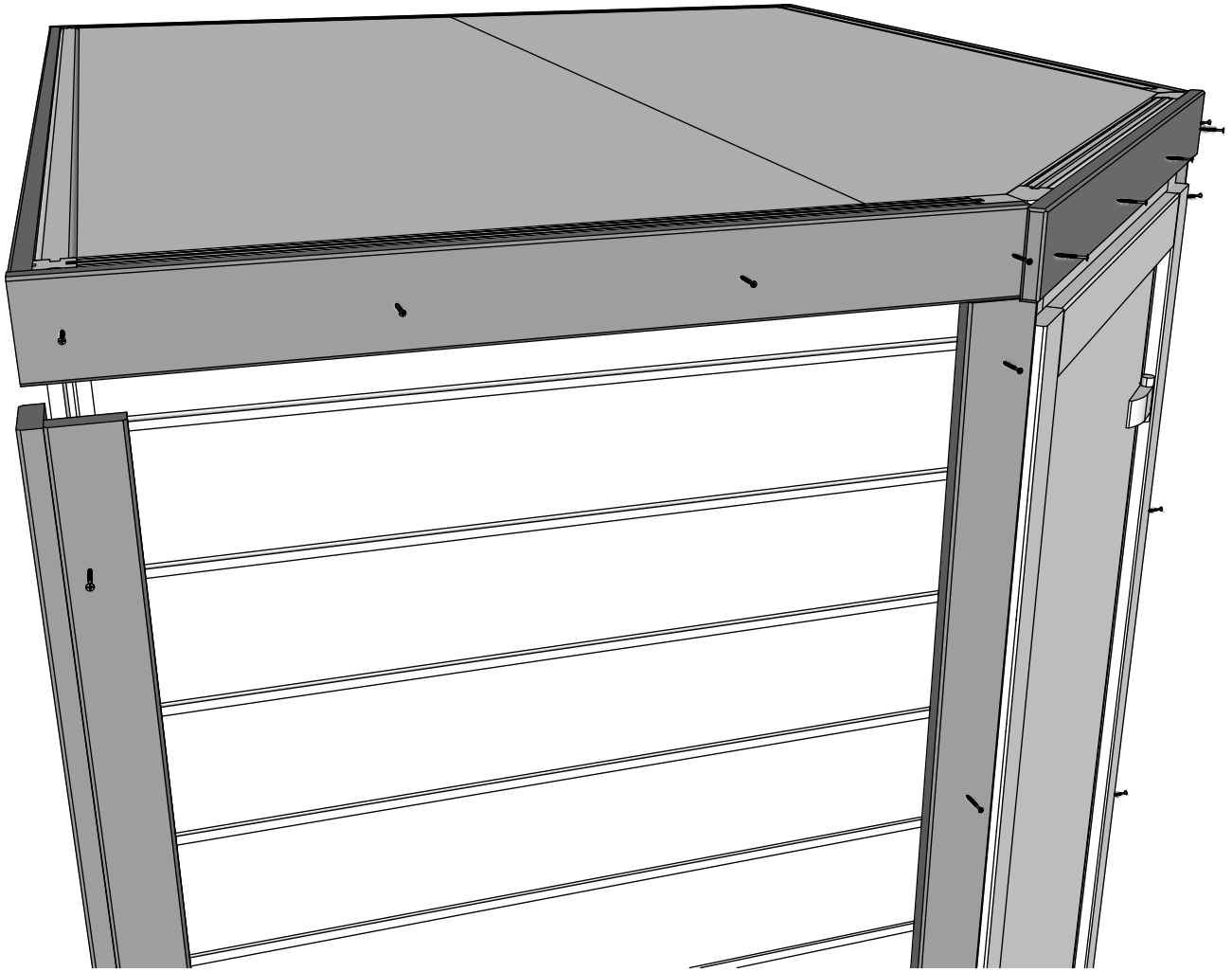
Drive the screws into the pre-drilled  
holes for the panel holder in the roof  
panel



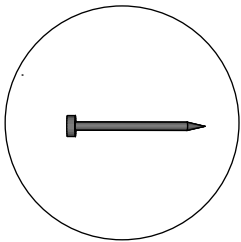
Connect roof panels as  
shown above



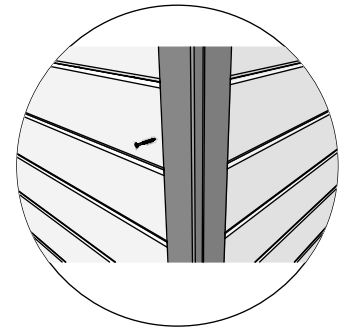
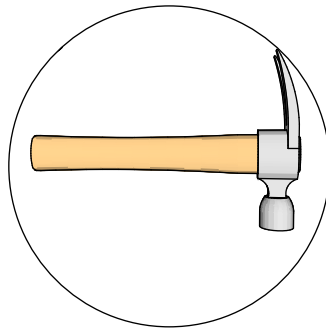
4x45mm for fastening roof panels



**Place corner covers as shown on picture above**



2x30mm for corner covers



**Nail the corner covers to hide screws**