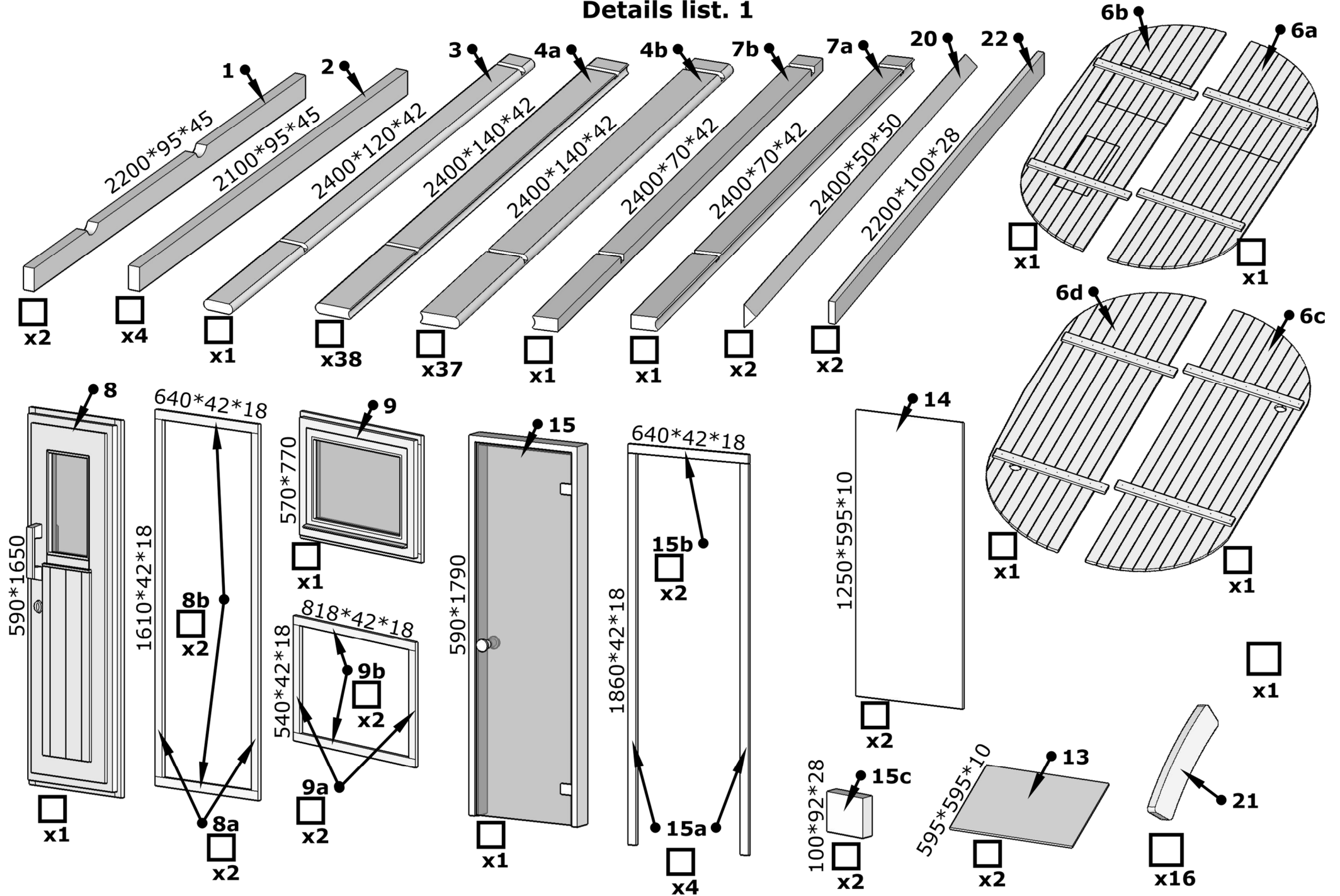
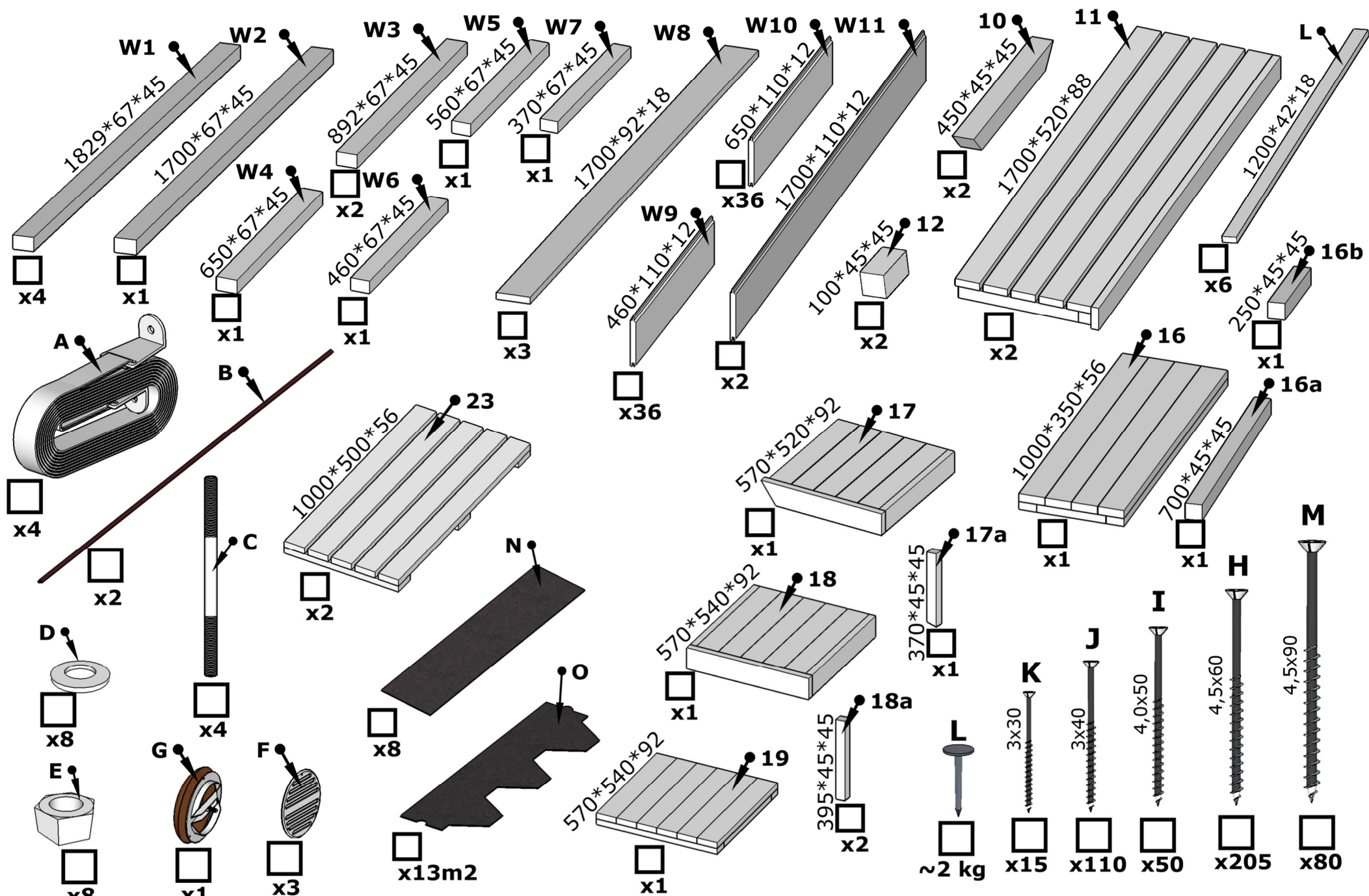


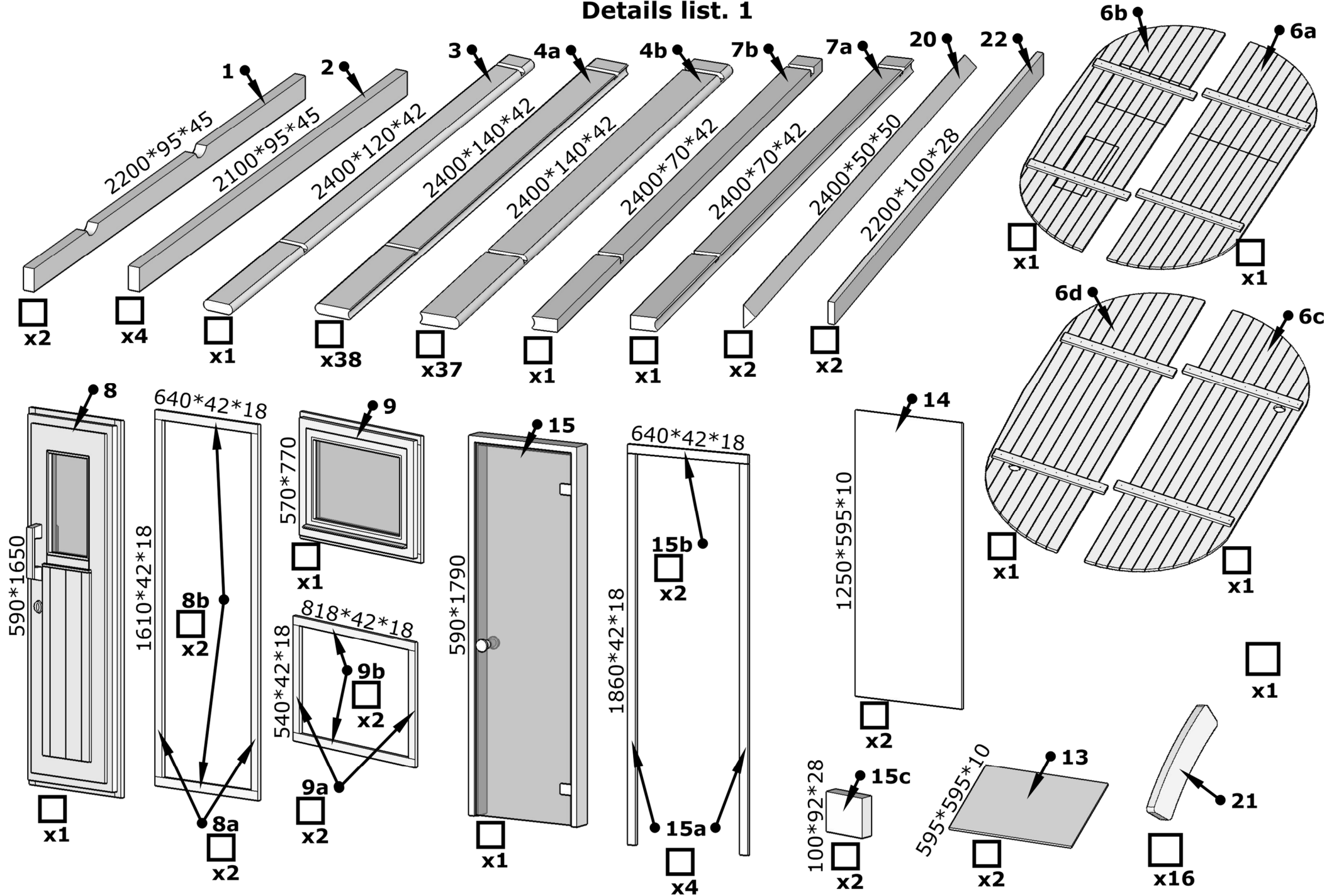
Details list. 1



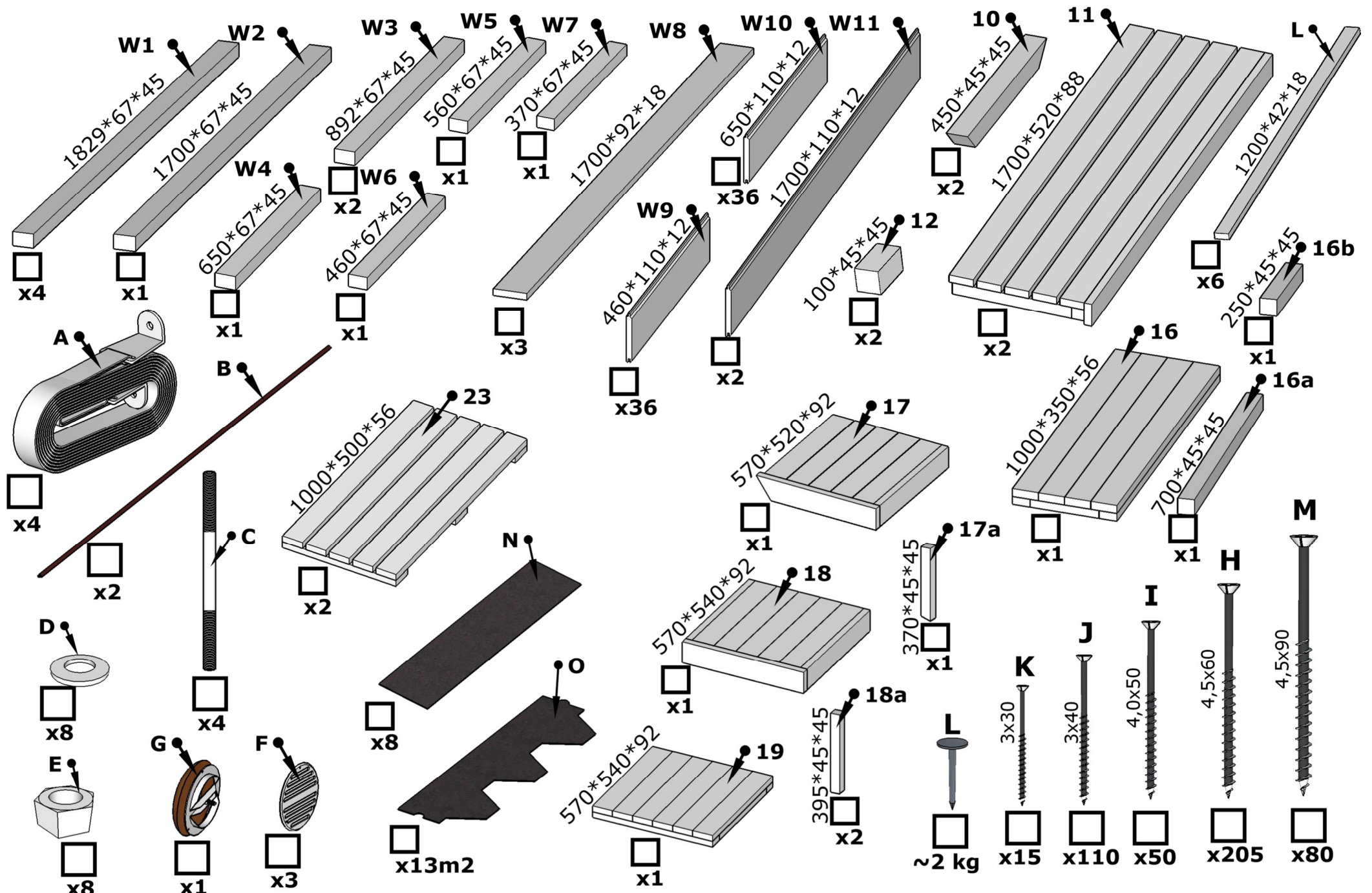
Details list. 2

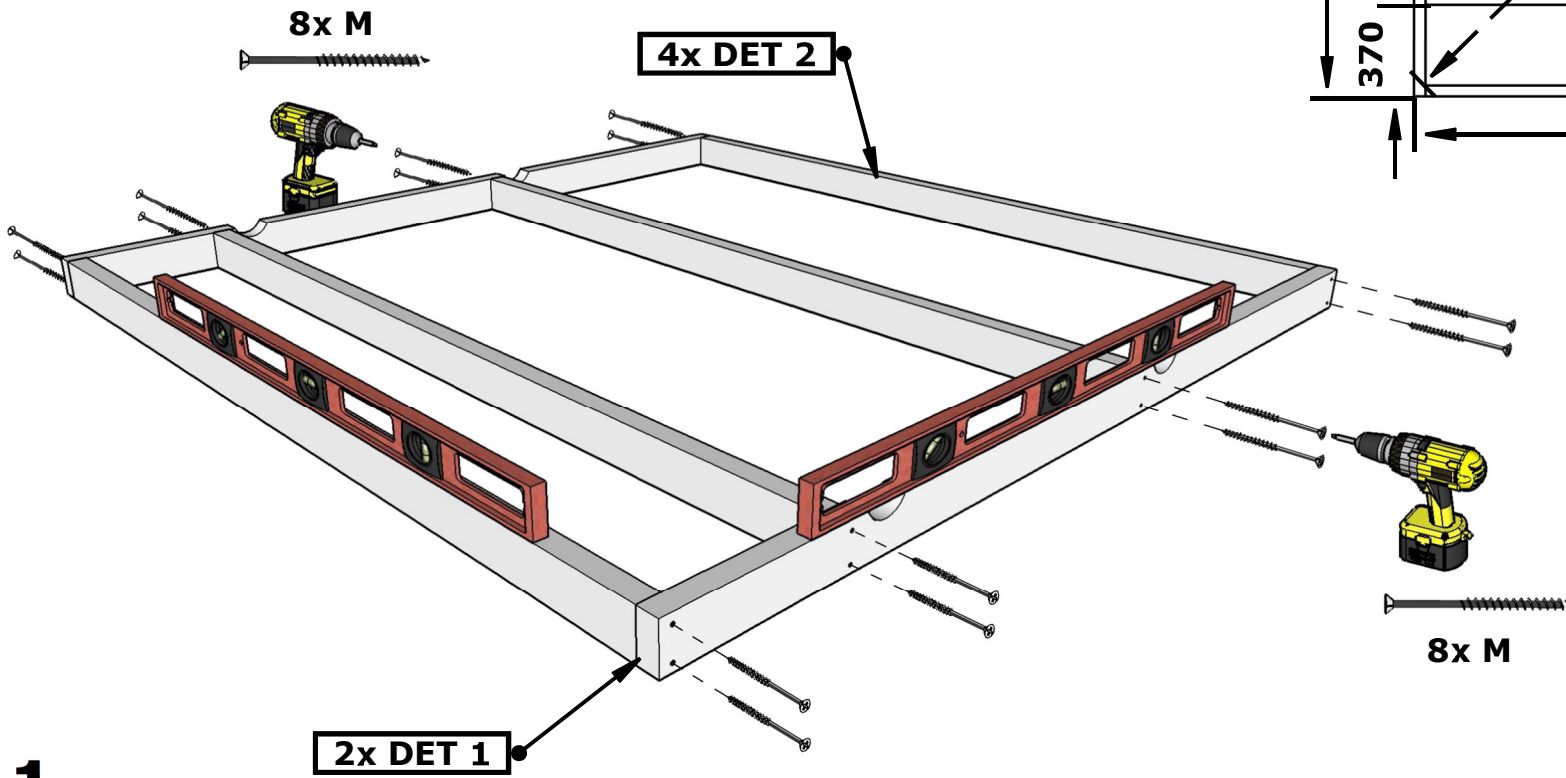
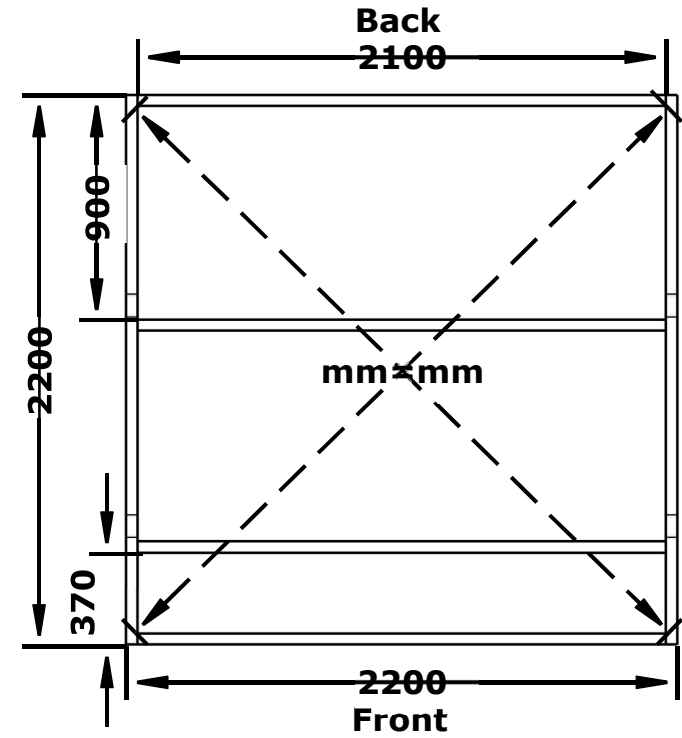


Details list. 1

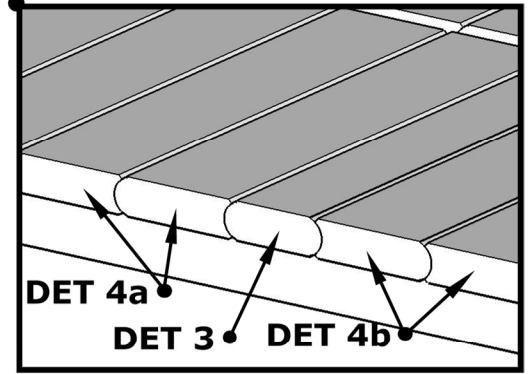
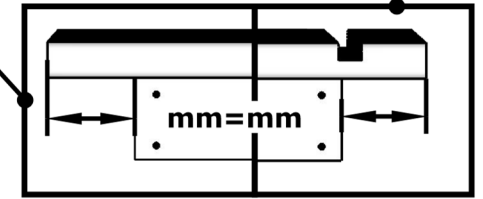
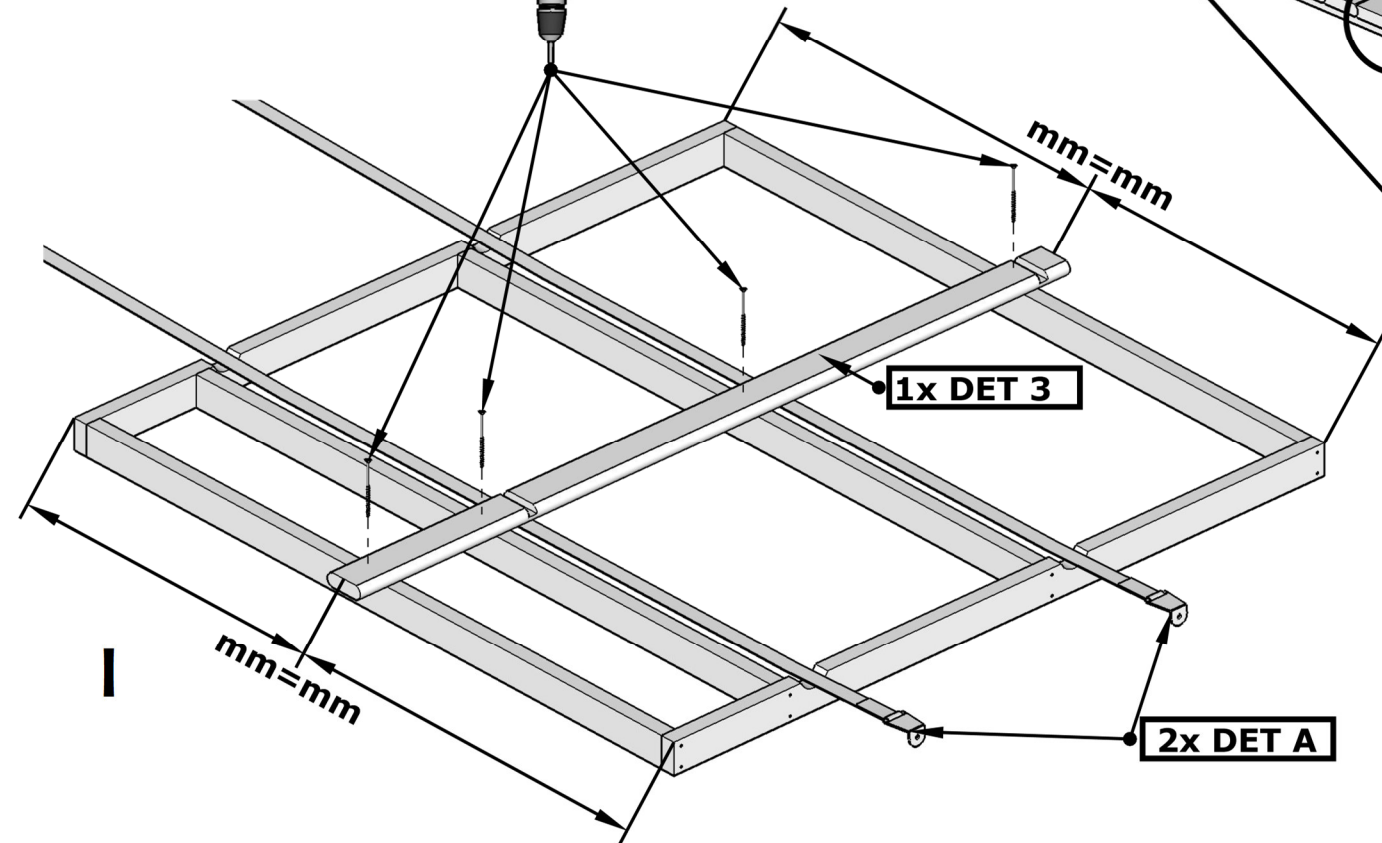
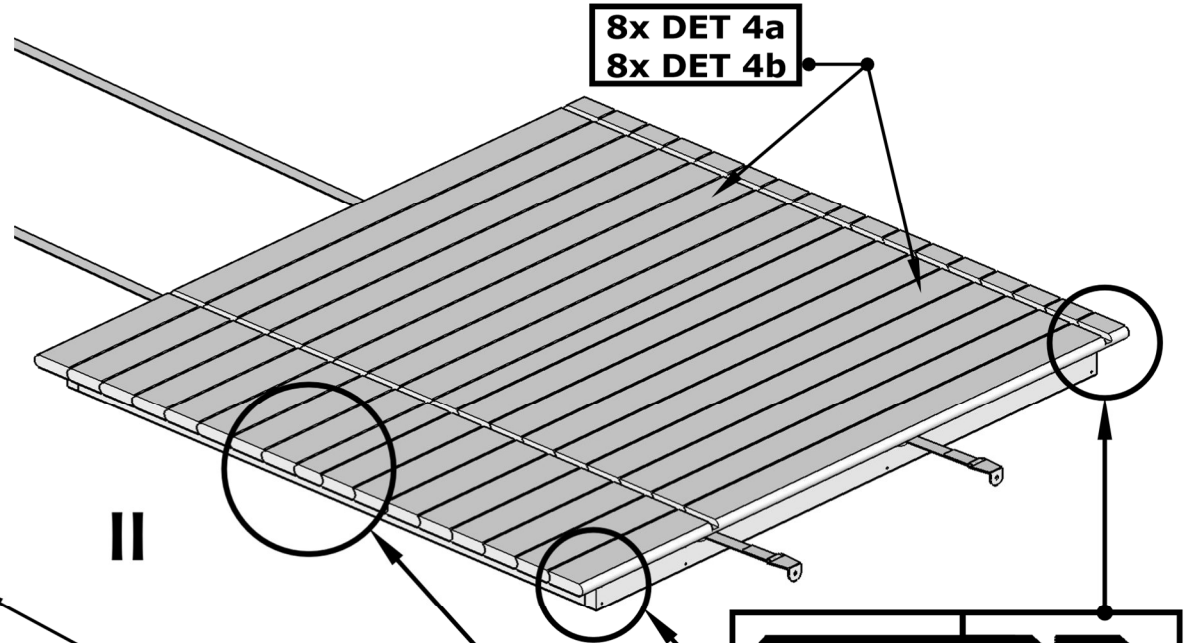
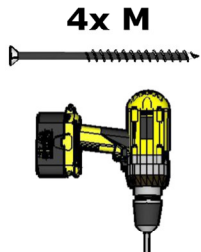


Details list. 2



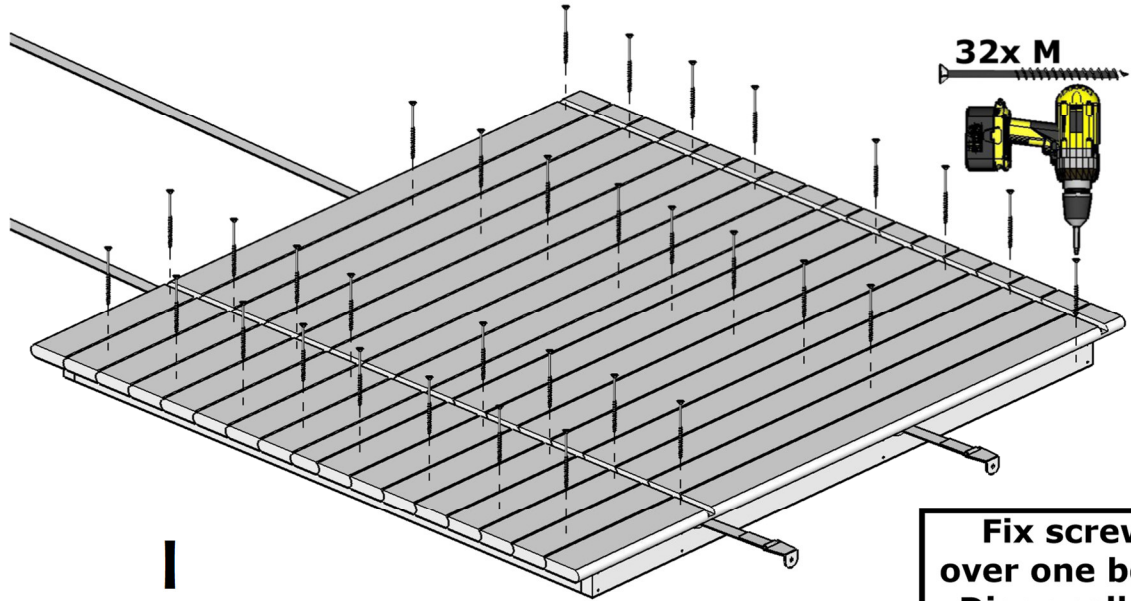
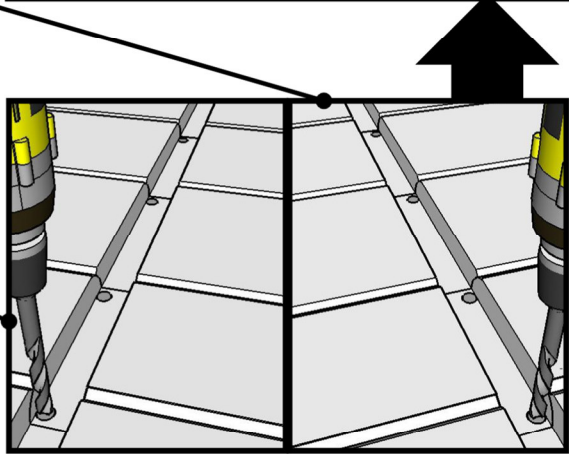
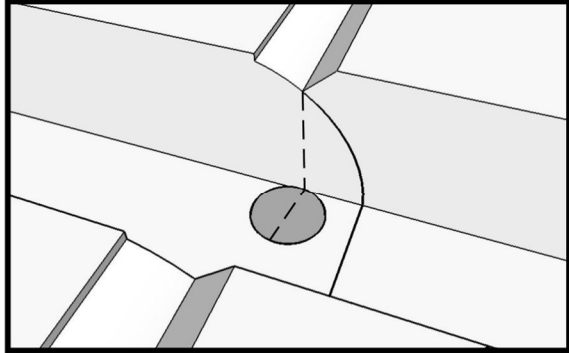
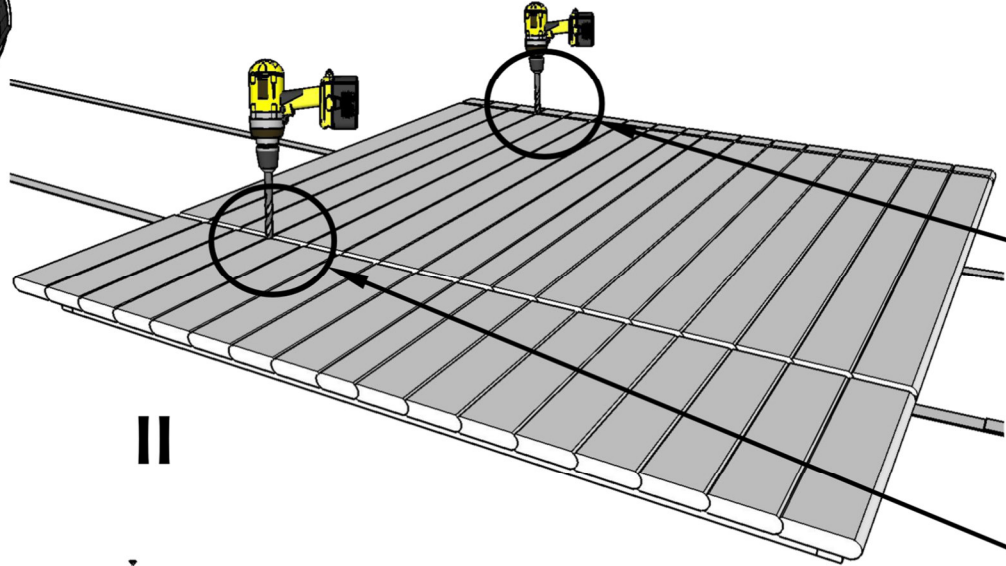


1.

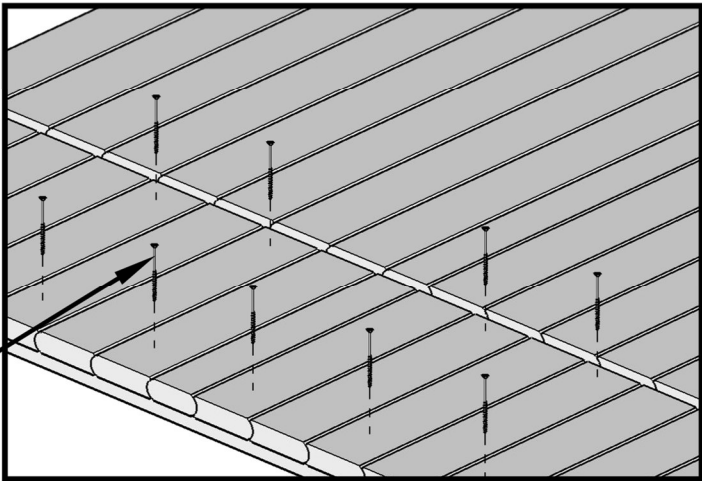


2.

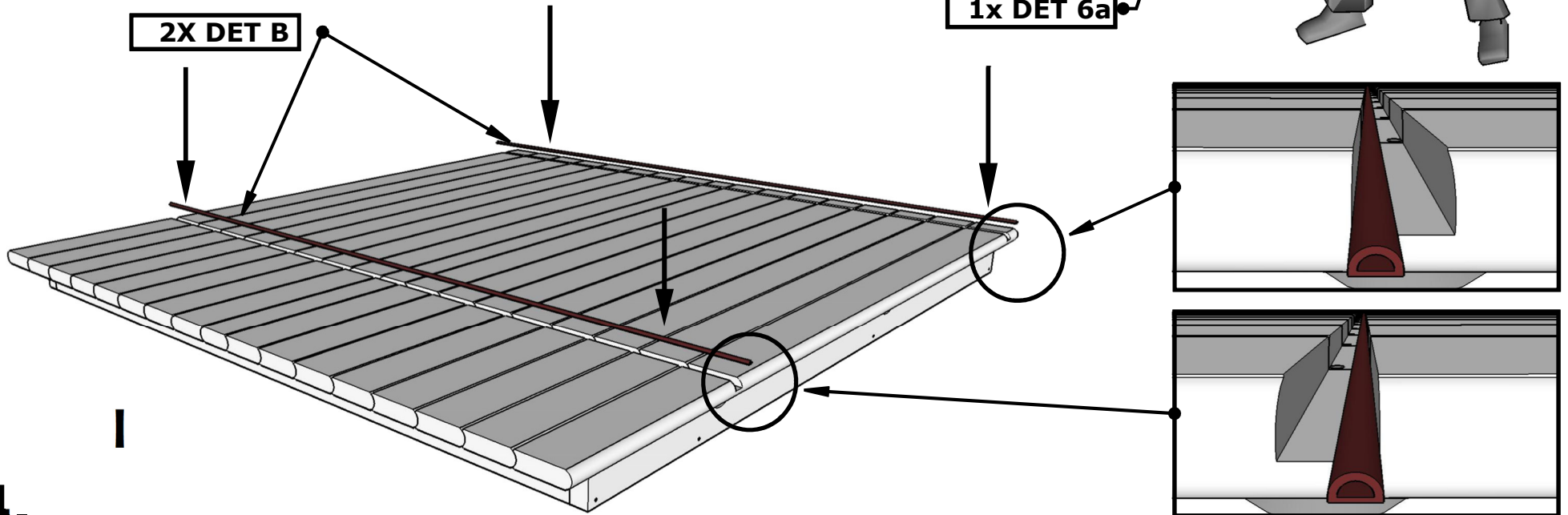
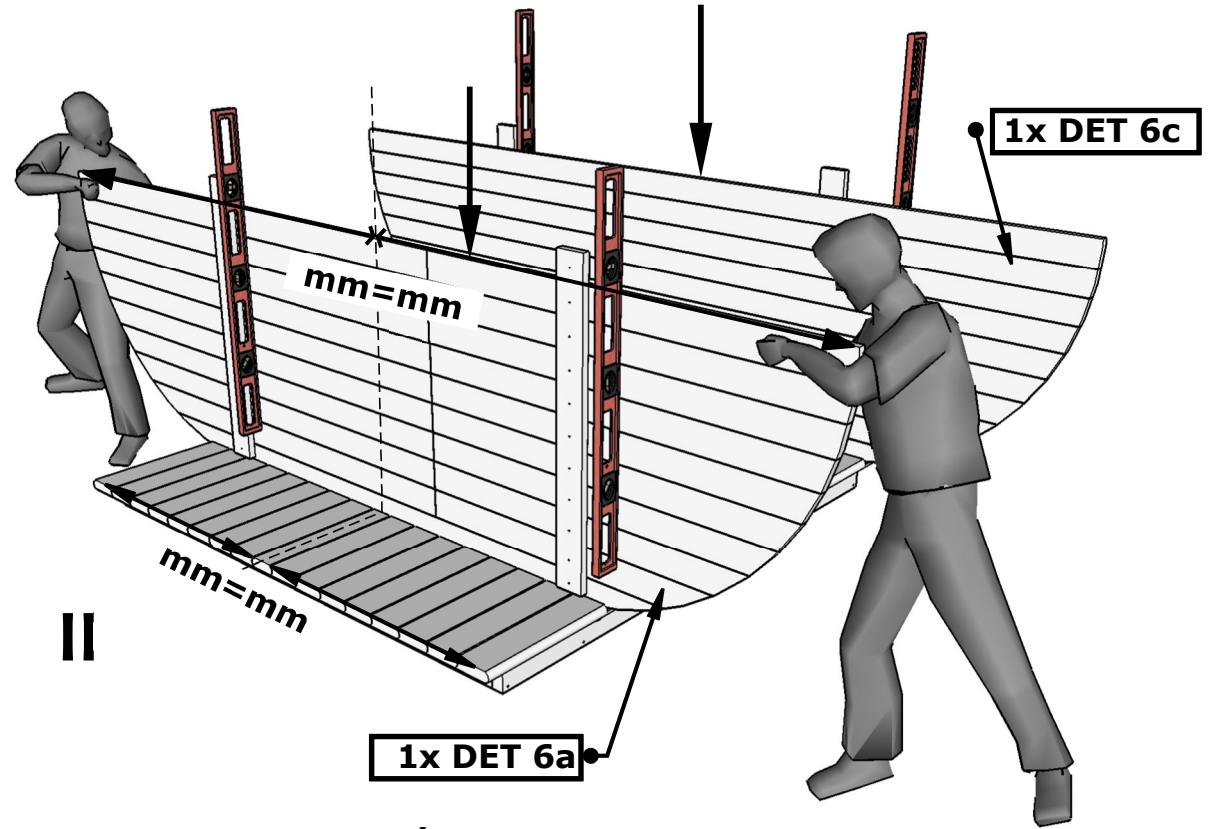
Drill Hole Ø10 in every board, outside.



Fix screws over one board! Diagonally on every board!



3.



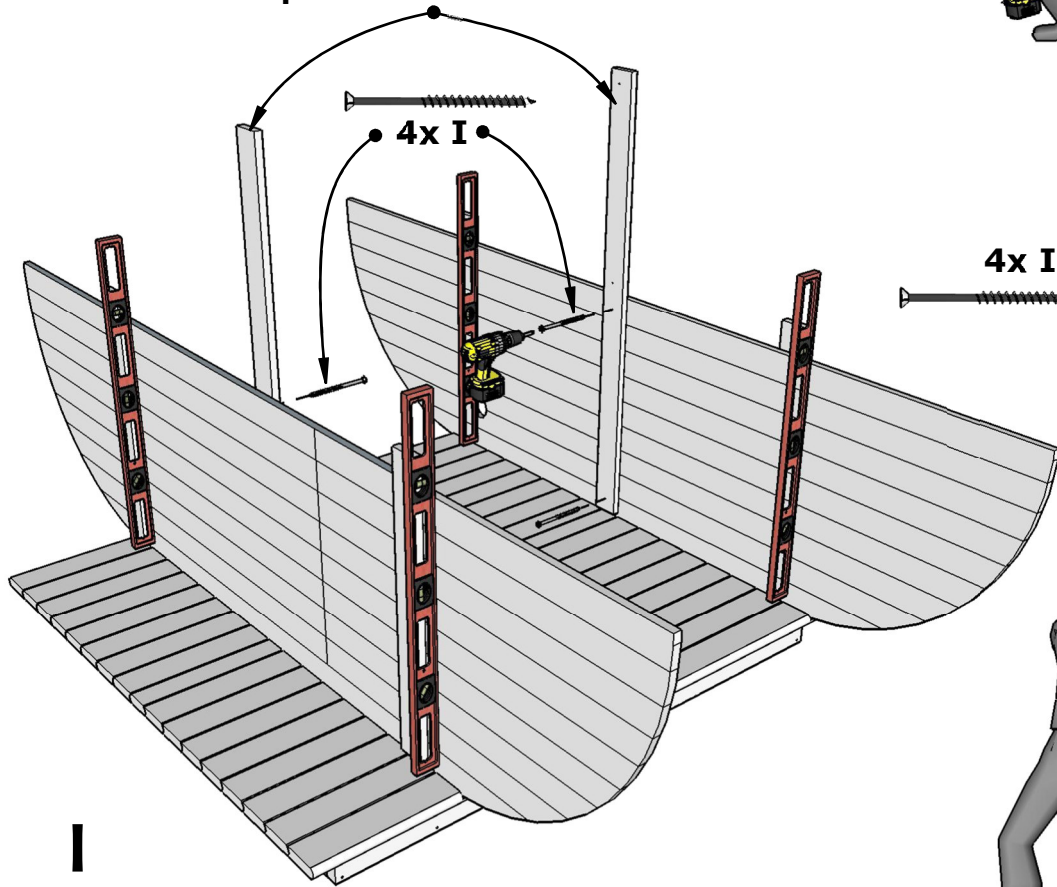
4.

I

II

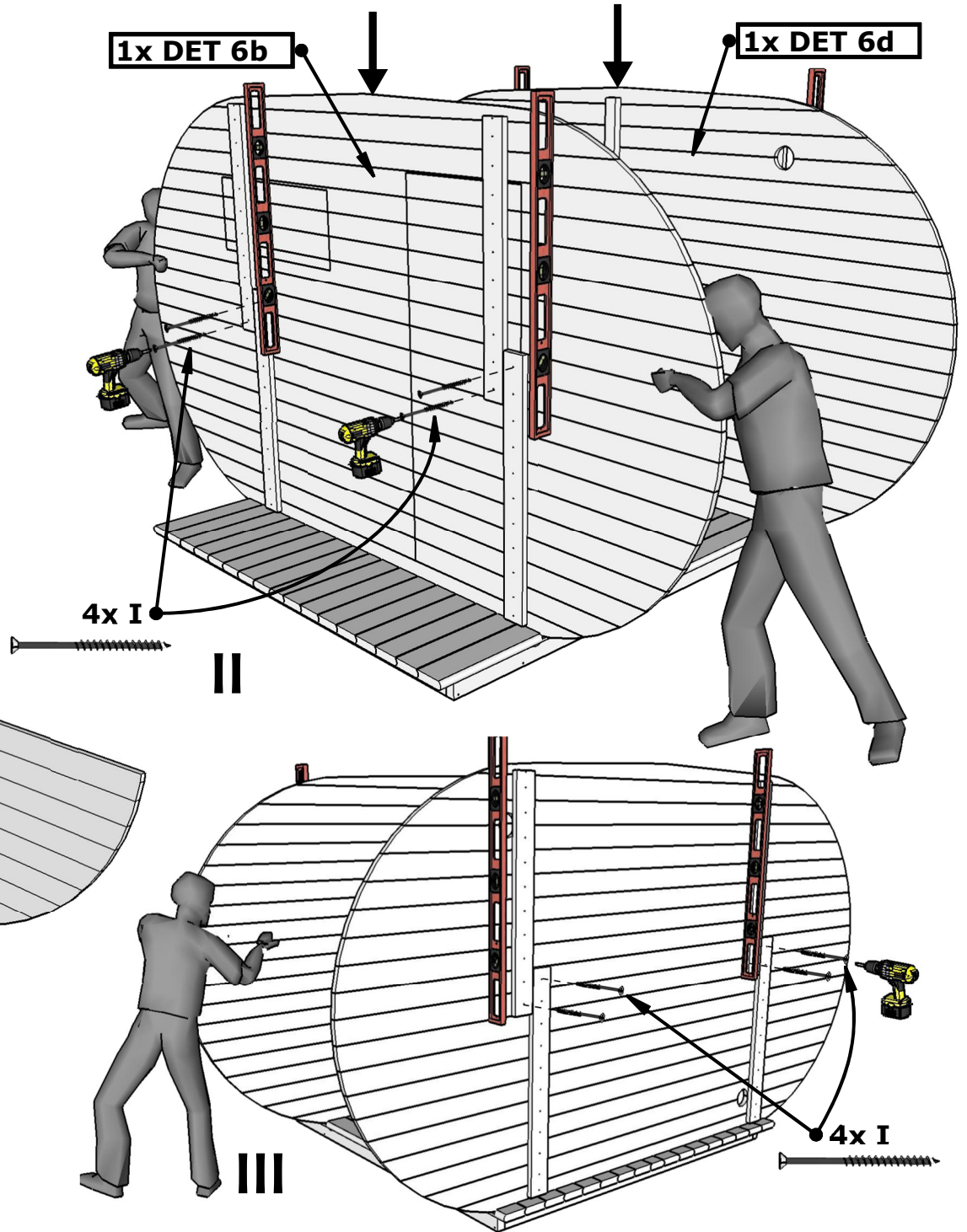


Cut 2 boards from pallet ~1900 mm



I

5.



1x DET 6b

1x DET 6d

4x I

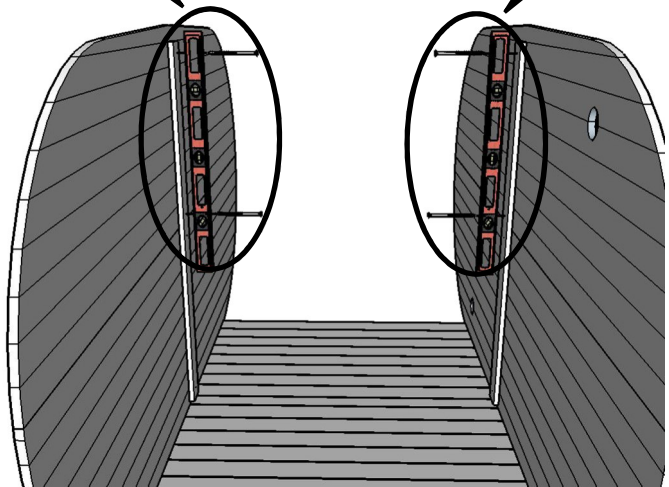
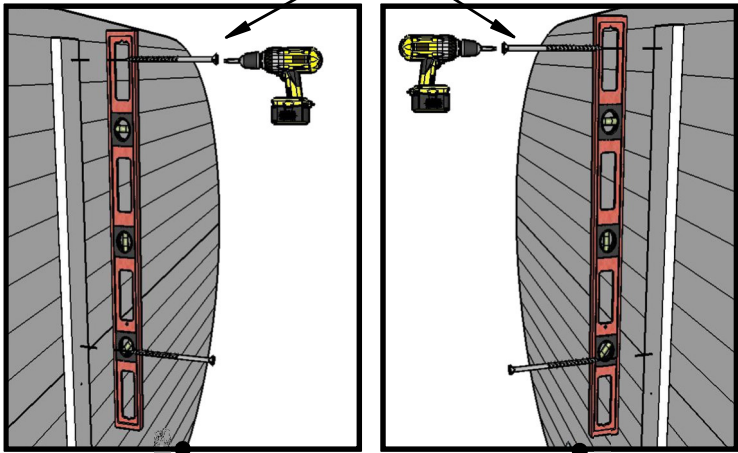
II

4x I

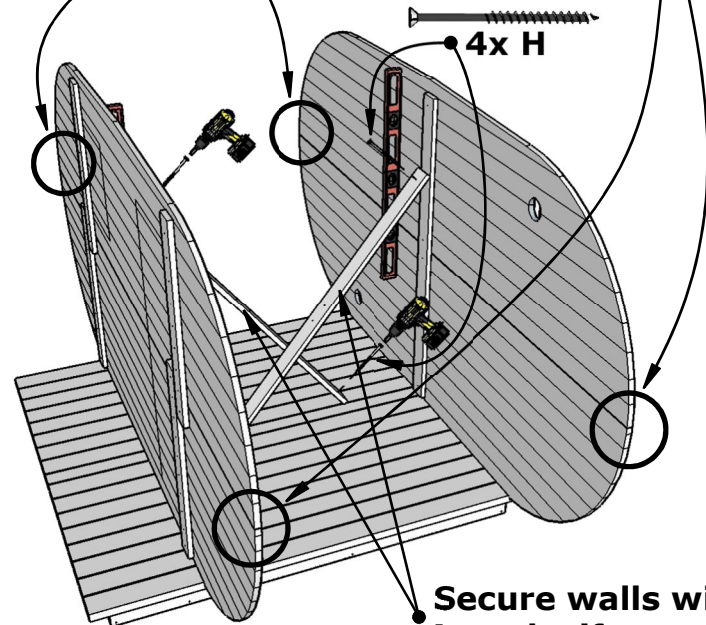
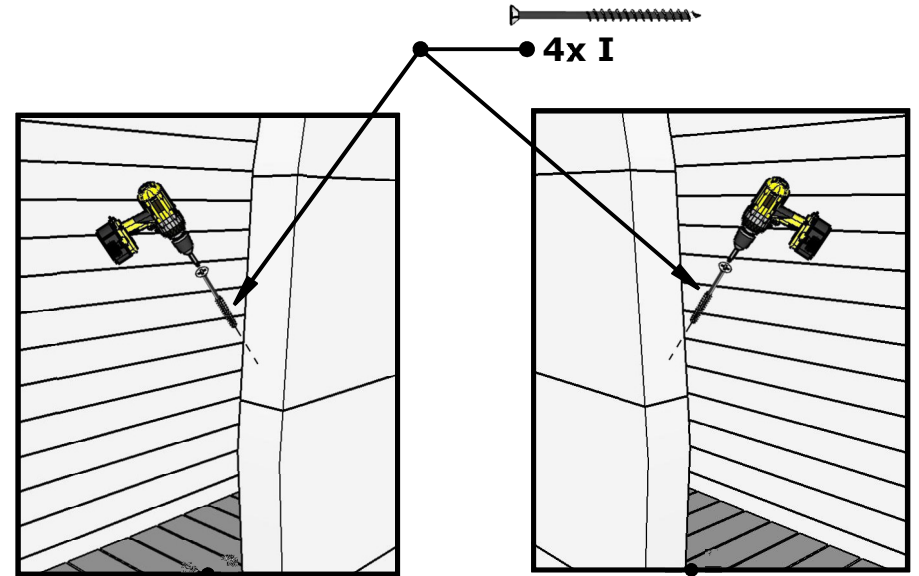
III



• 4x I



6.

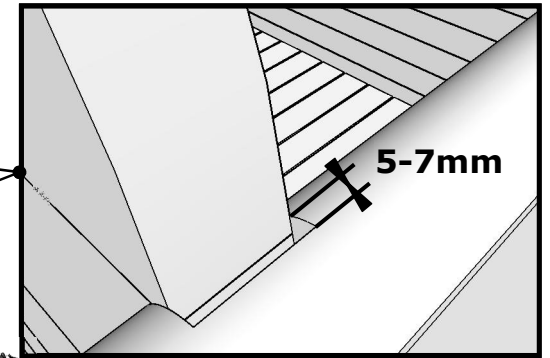
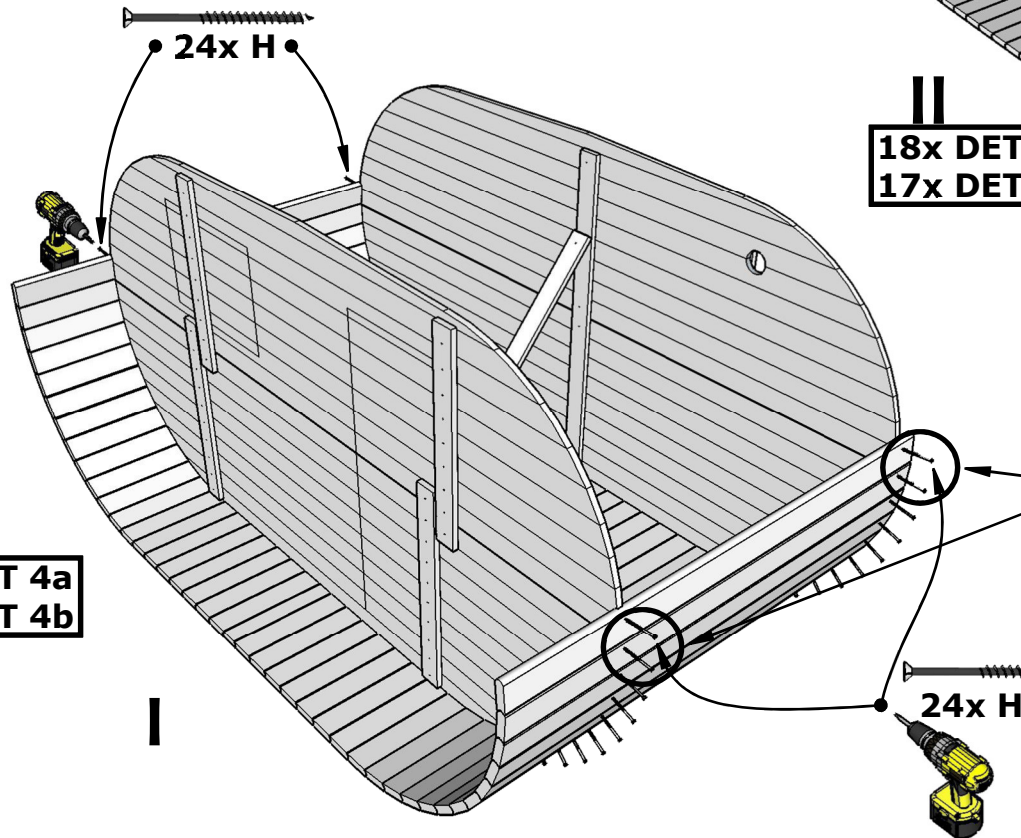
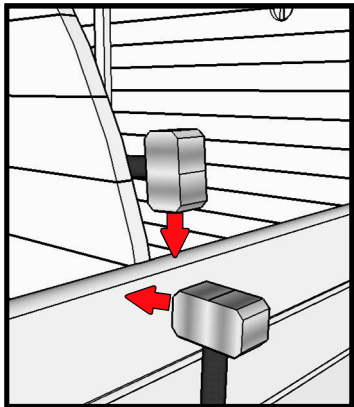
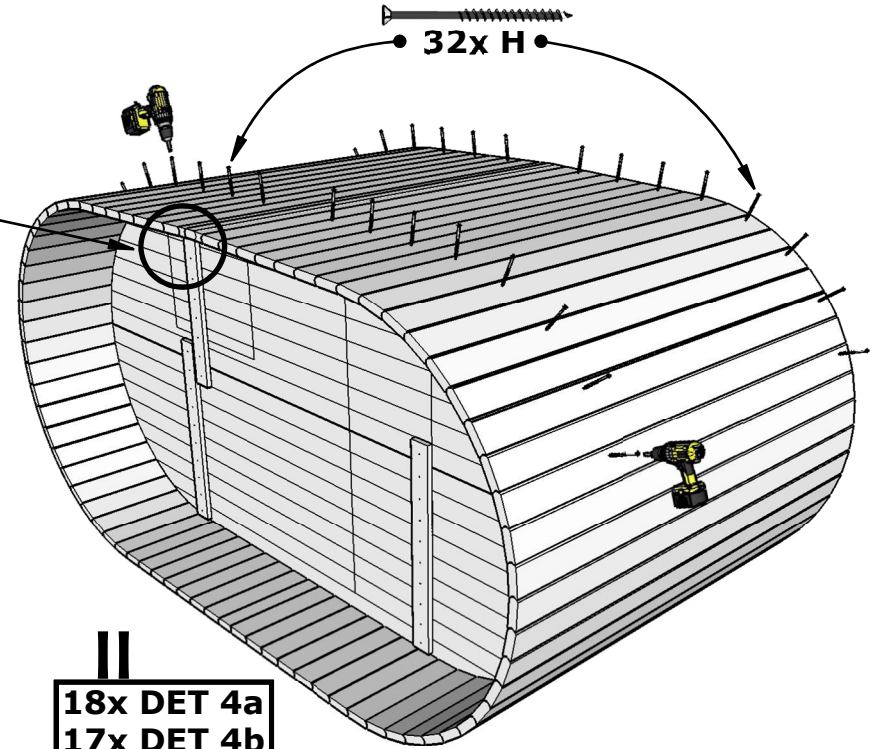
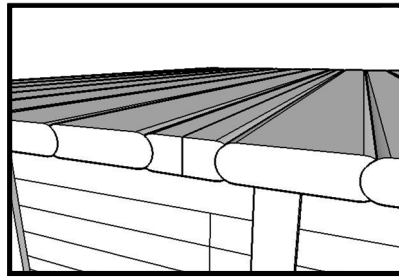


II

Secure walls with some boards, if necessary.



Watch Page 7A

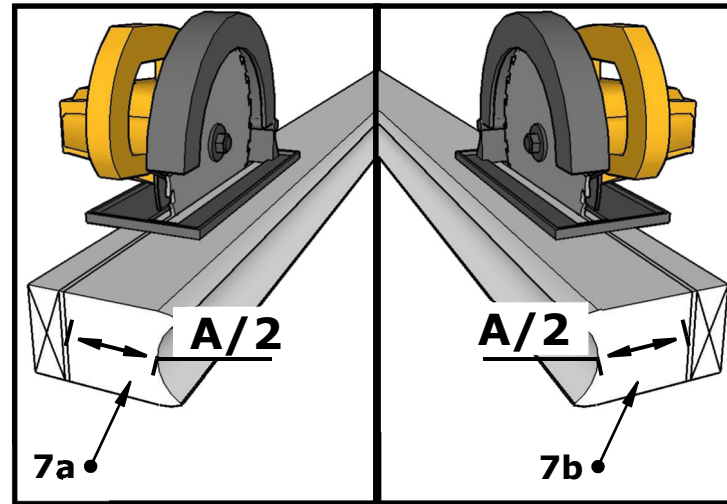


NB! Don't leave space, if using thermal wood!!!

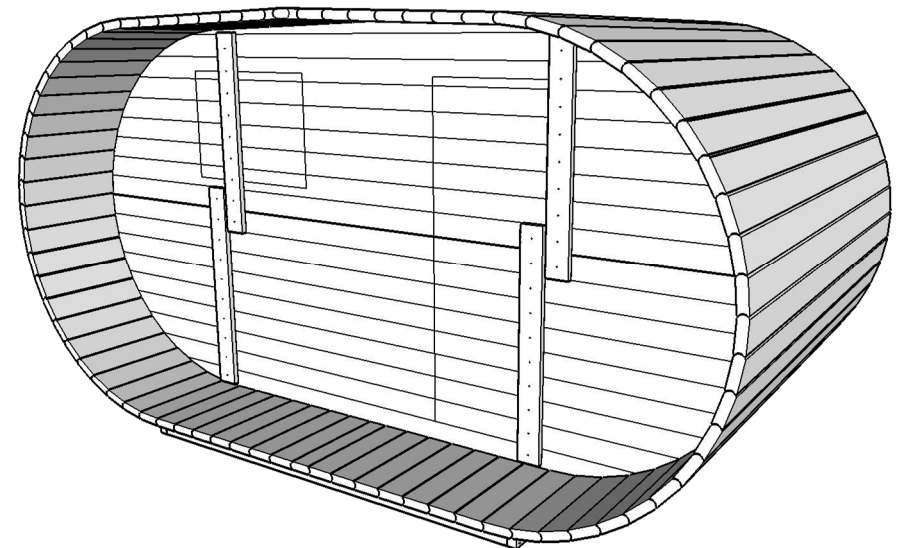
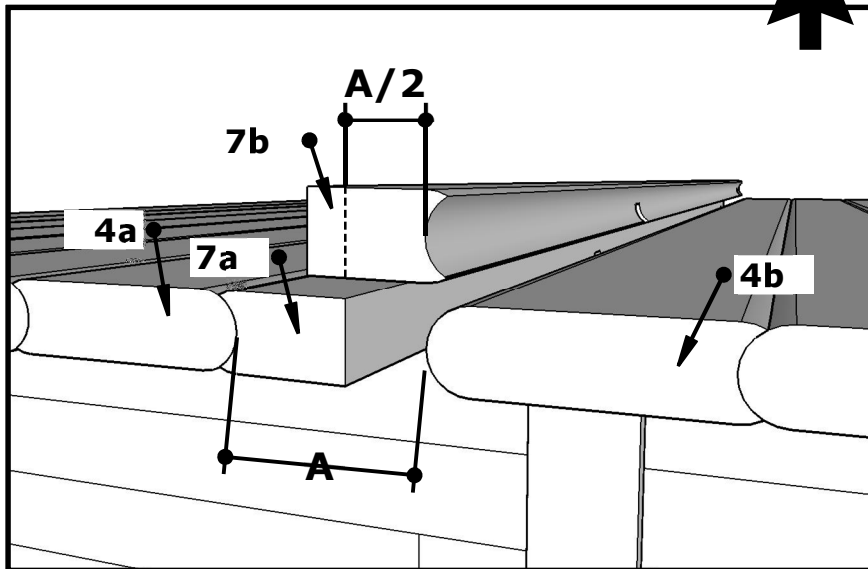
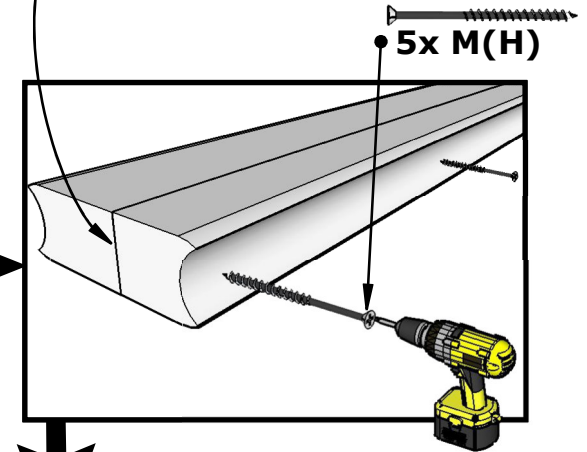
7.



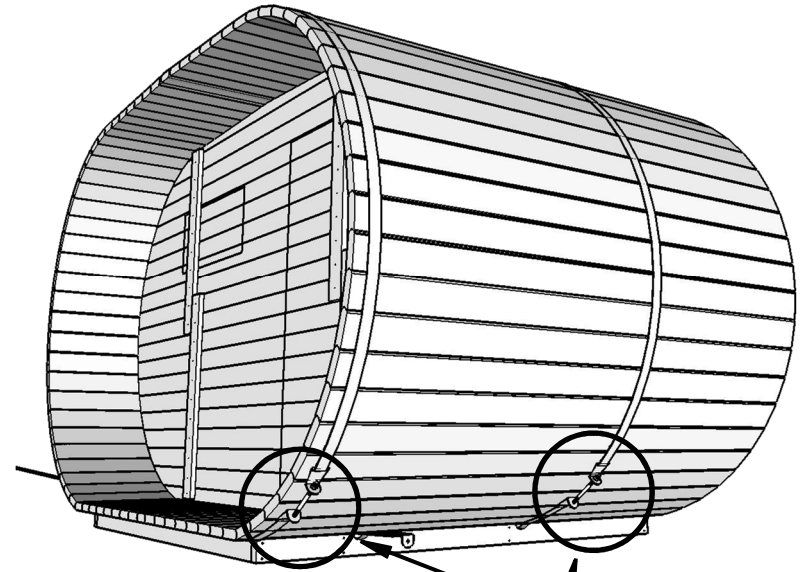
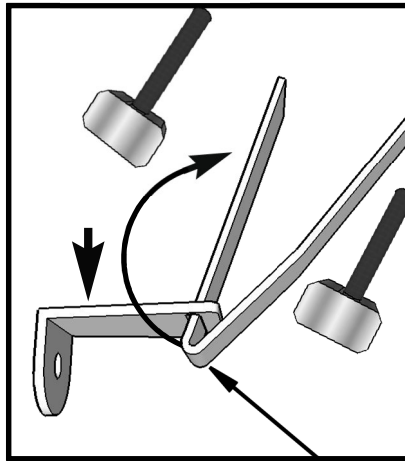
Important!!!



Use wood glue between boards.

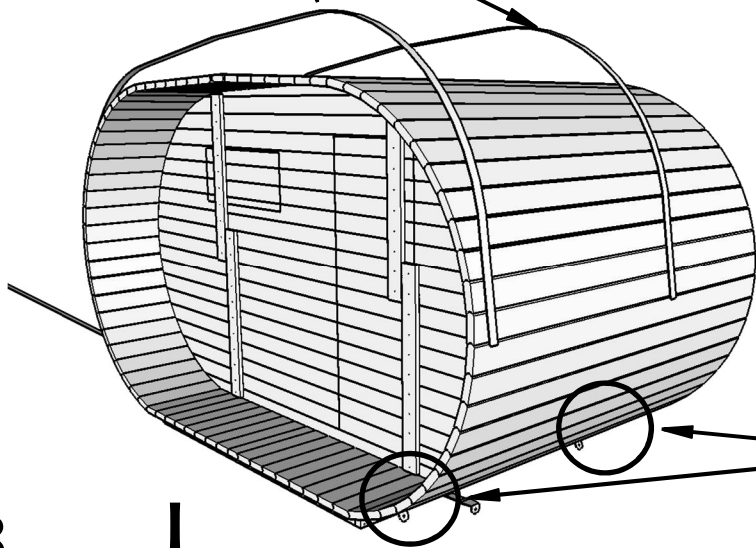


7A.

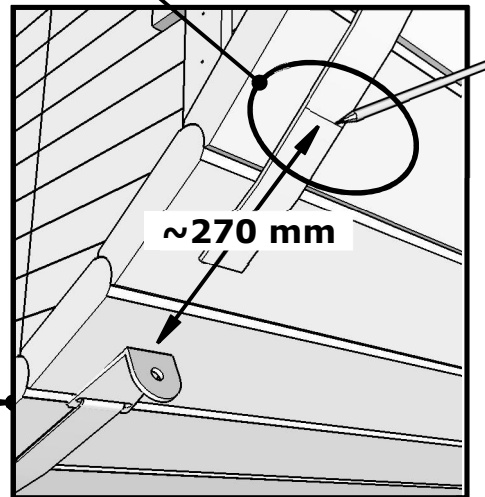


II

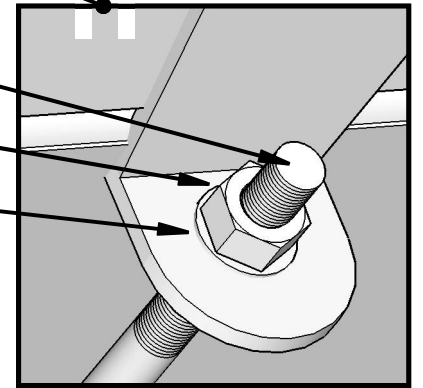
2x DET A



I



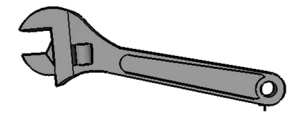
~270 mm



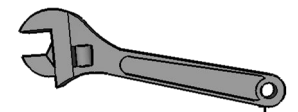
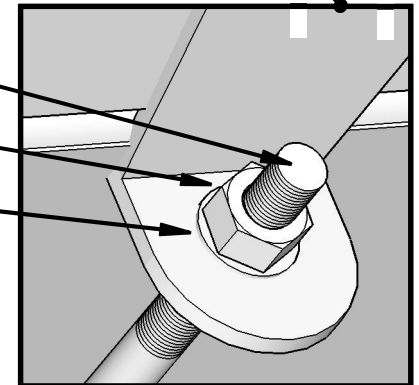
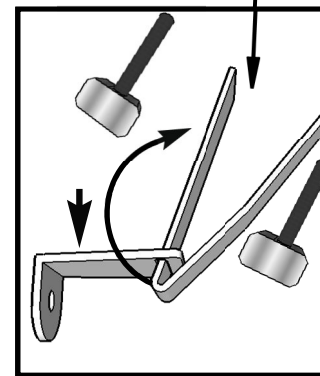
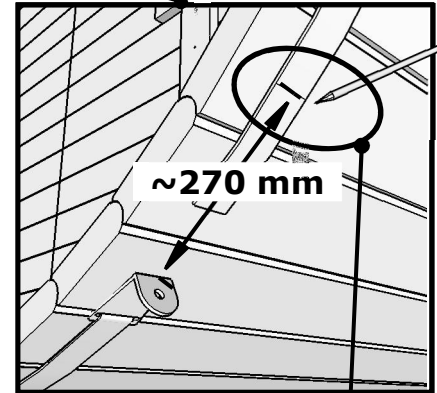
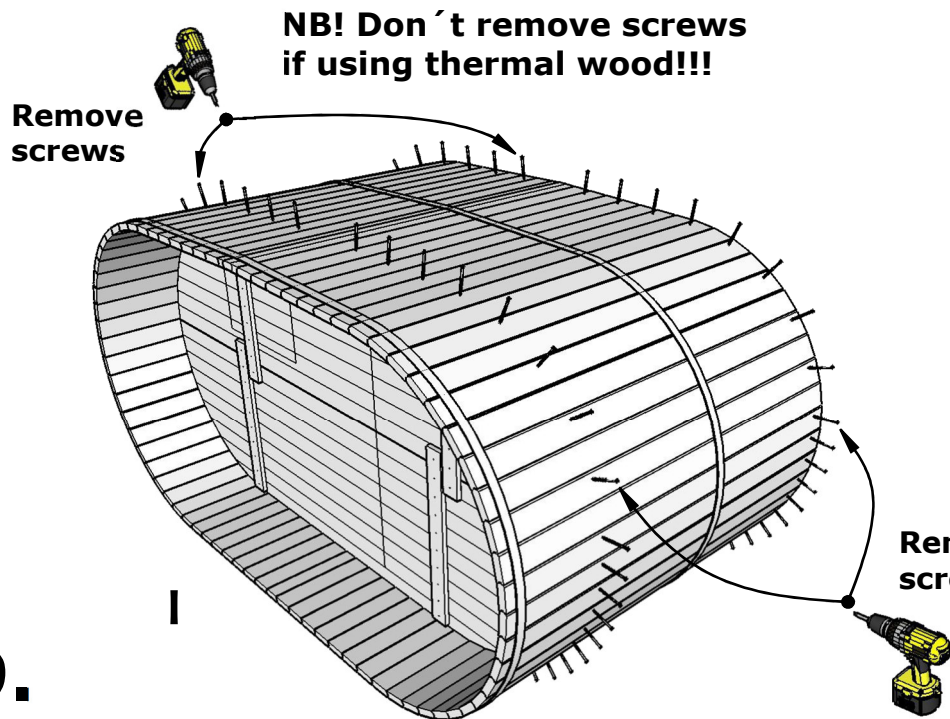
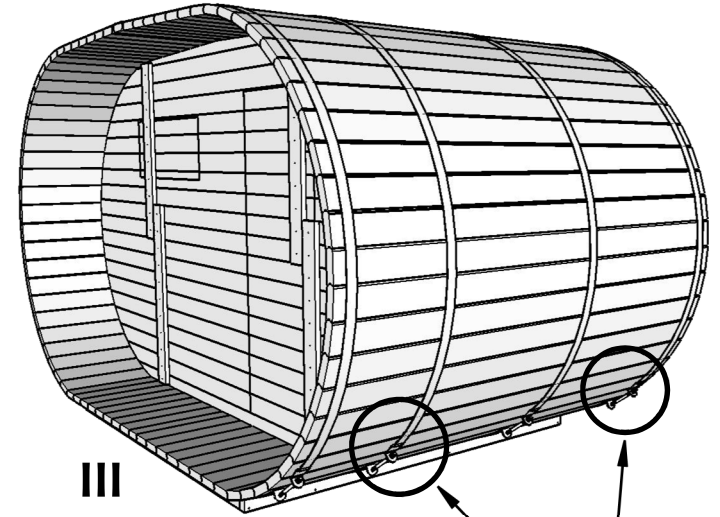
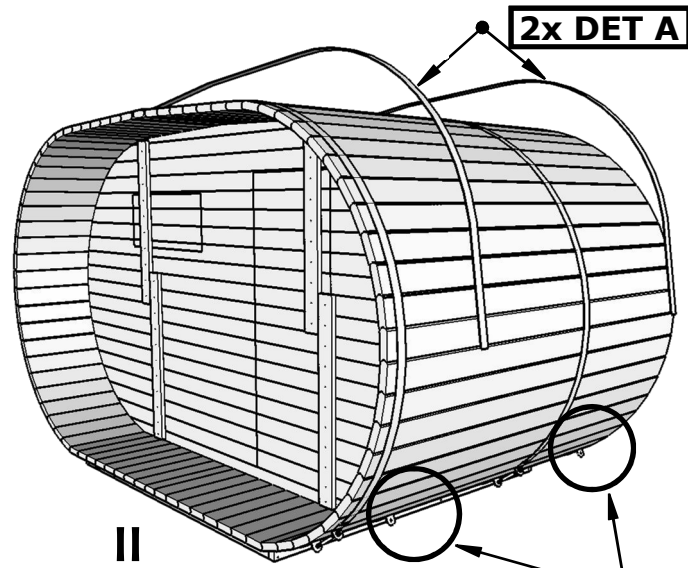
C

D

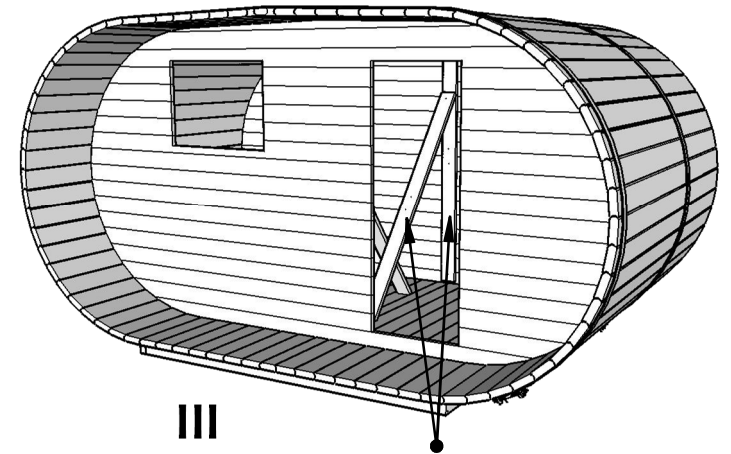
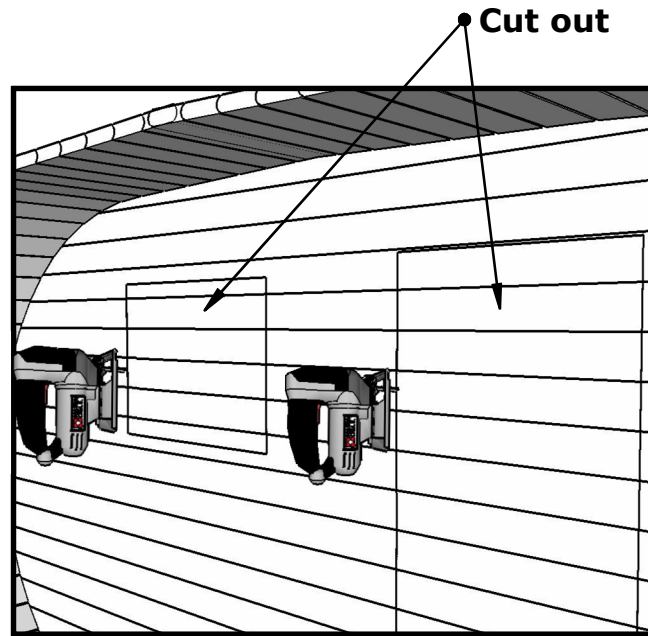
E



8.

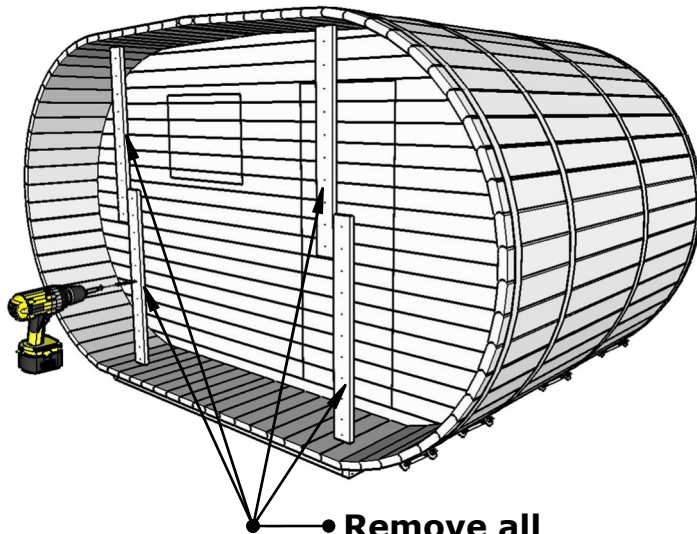


9.

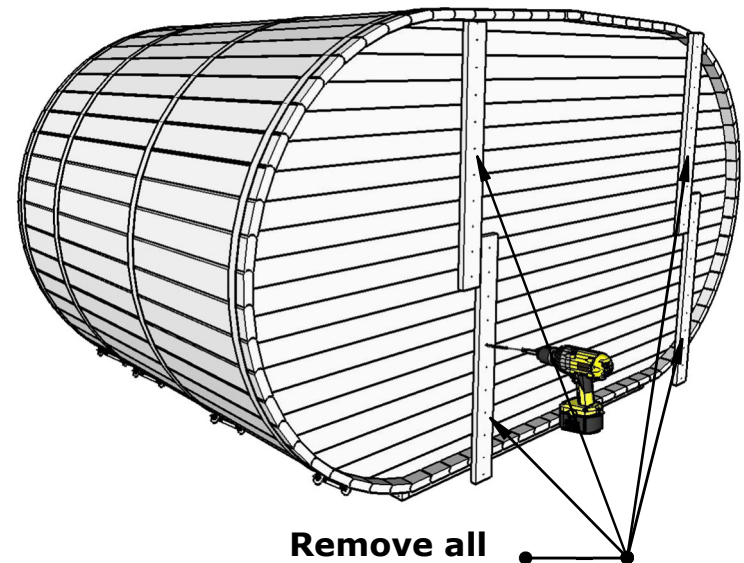


**Remove all
inside brackets**

II

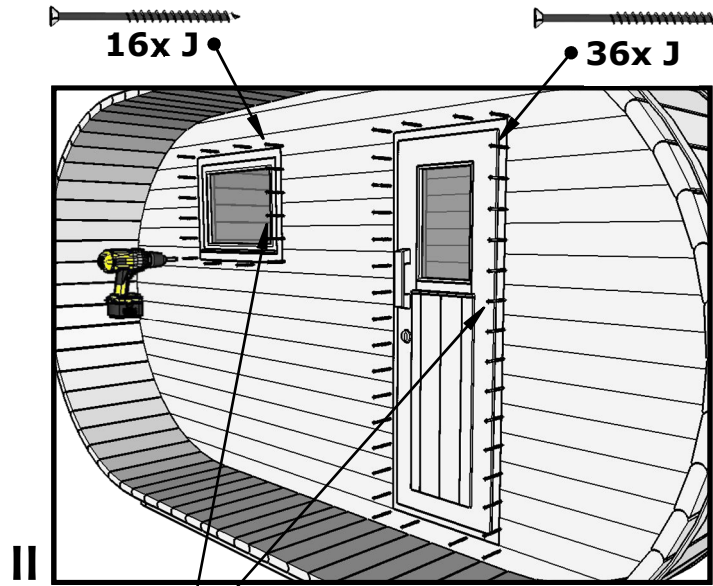


**Remove all
brackets**



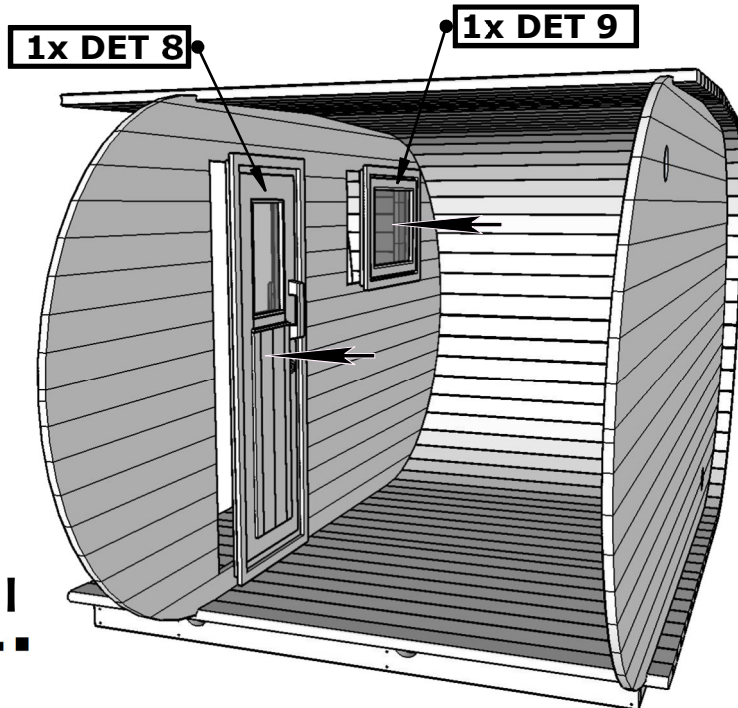
**Remove all
brackets**

10.

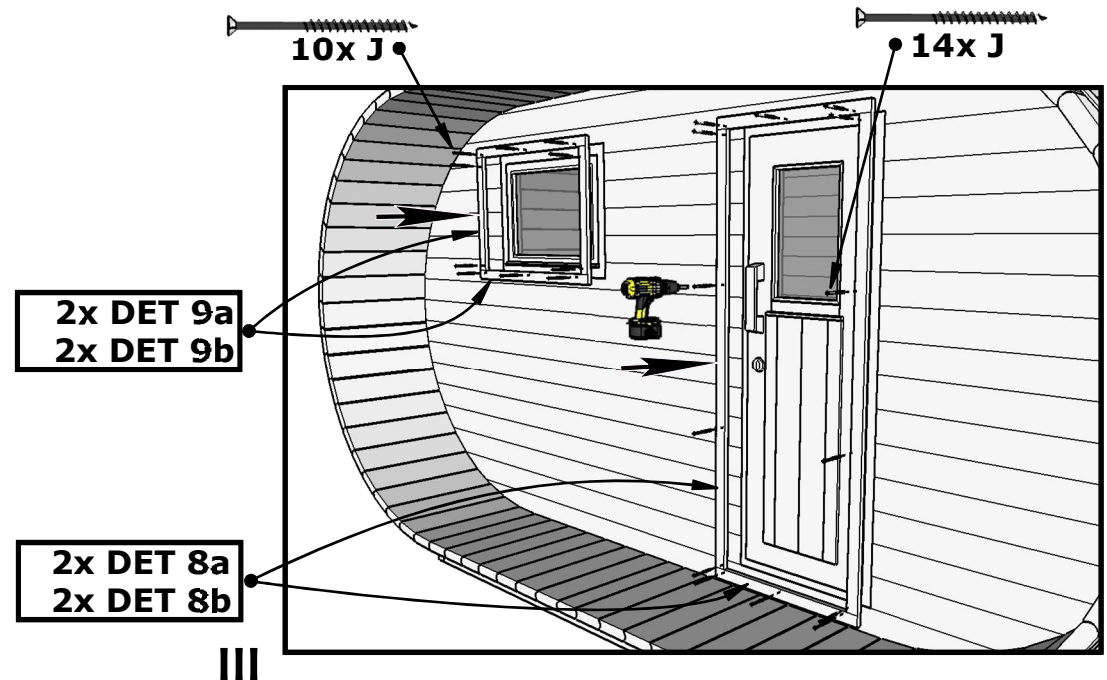


IV

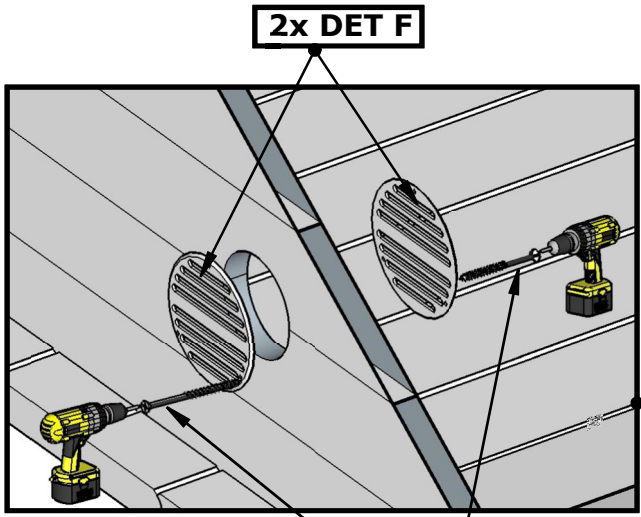
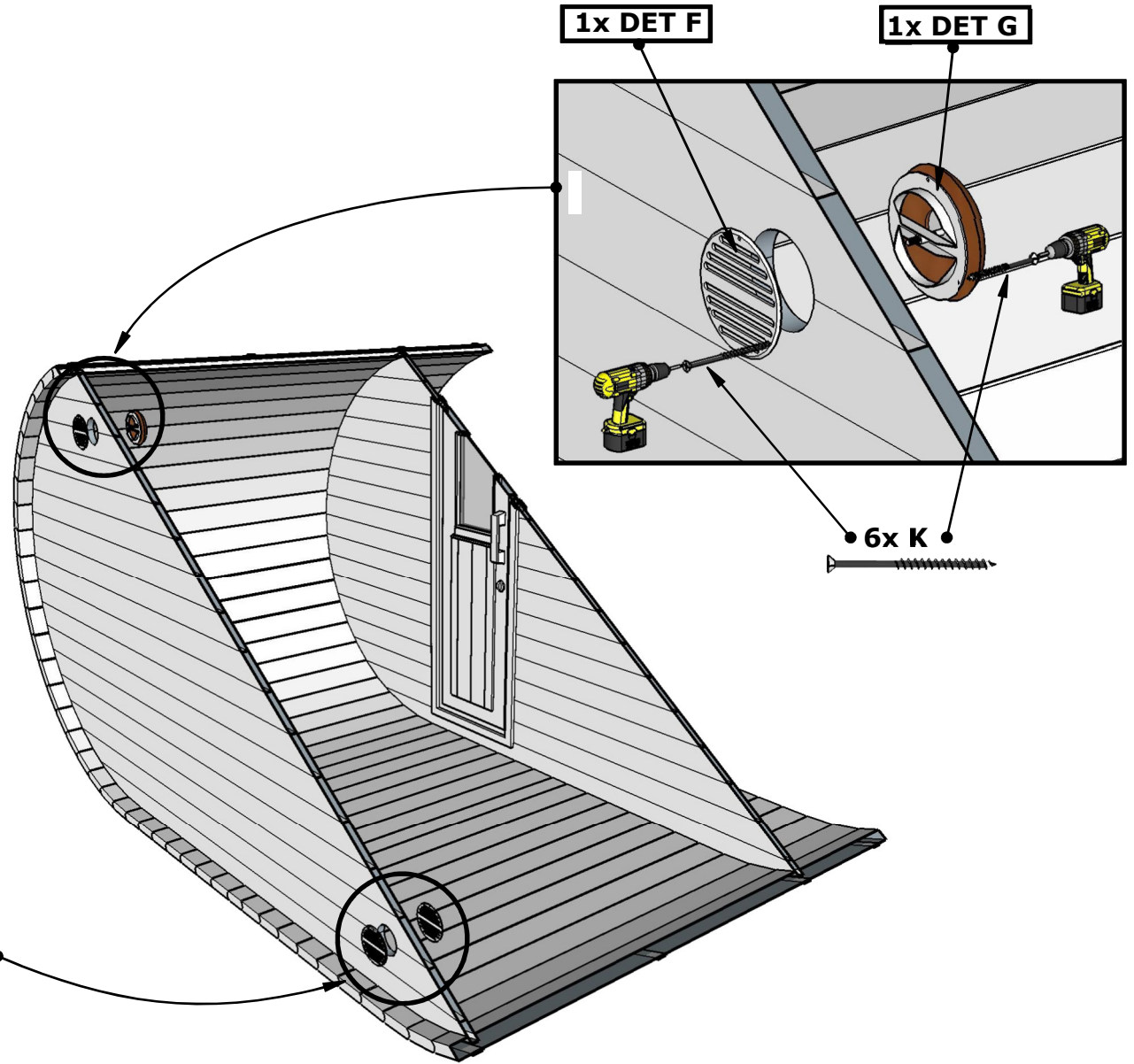
NB! Vertically fix screw in every board.



11.



III

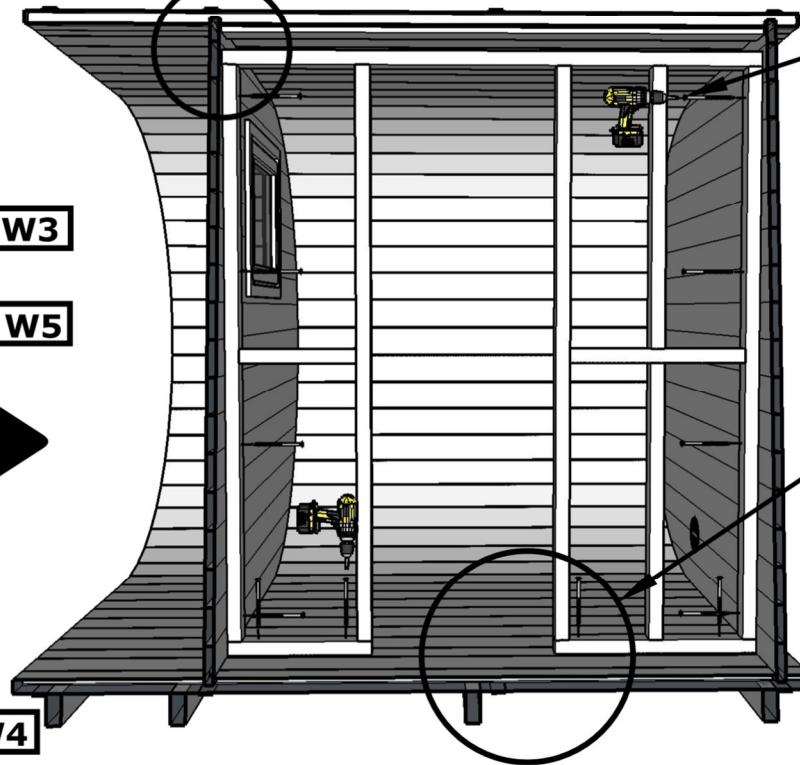
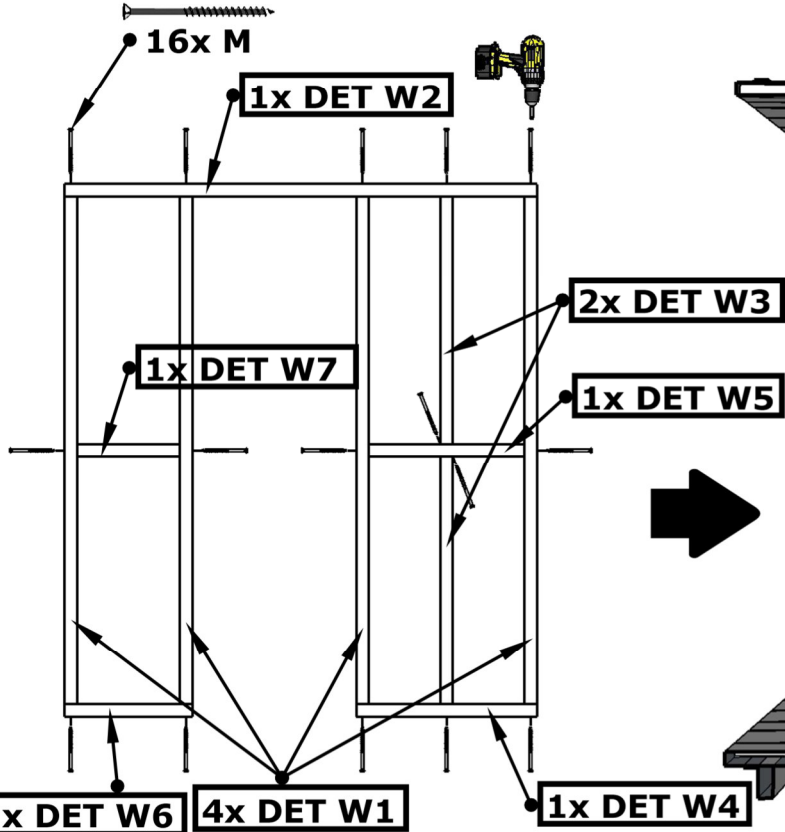
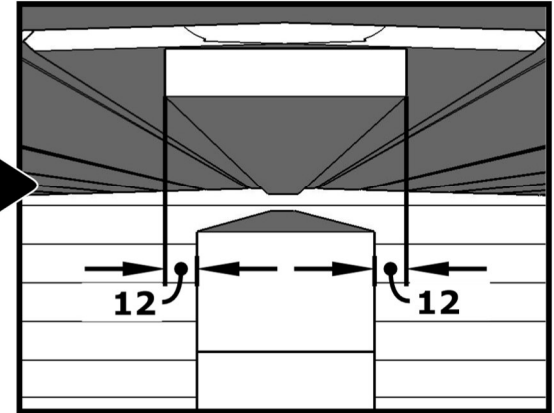
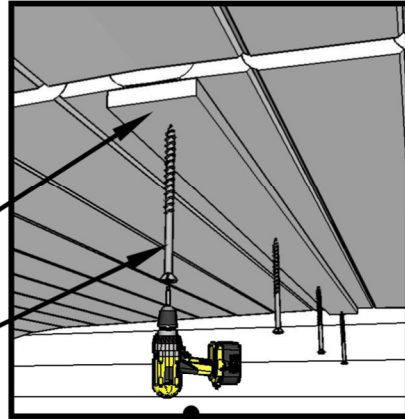


12.

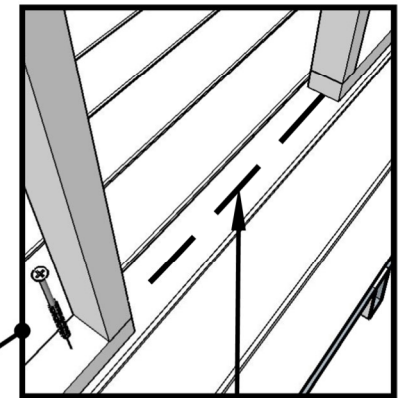


1x DET W8

4x I

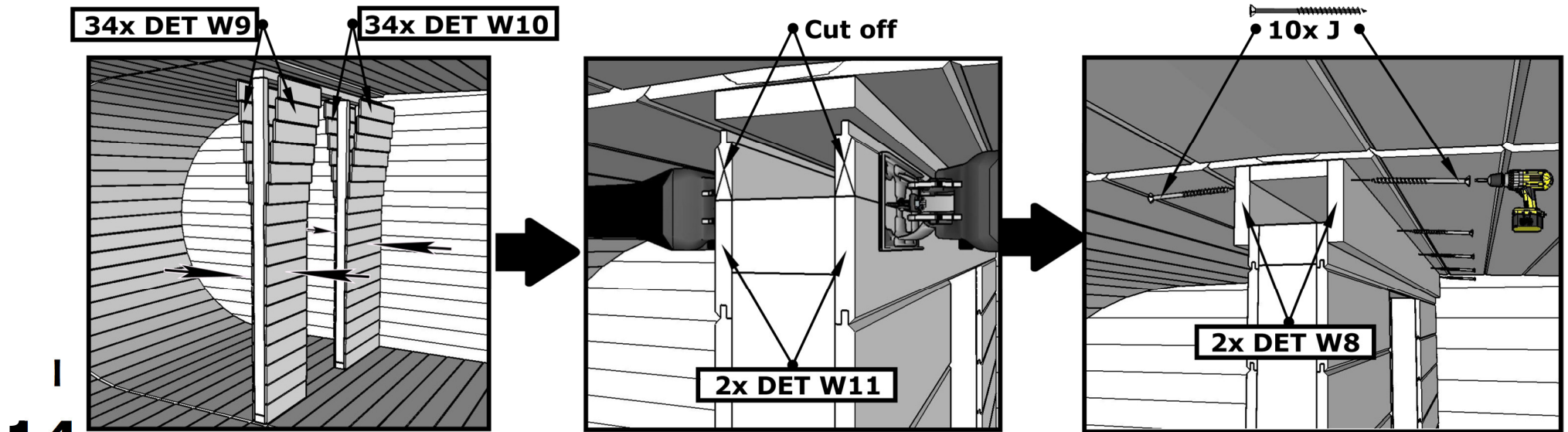
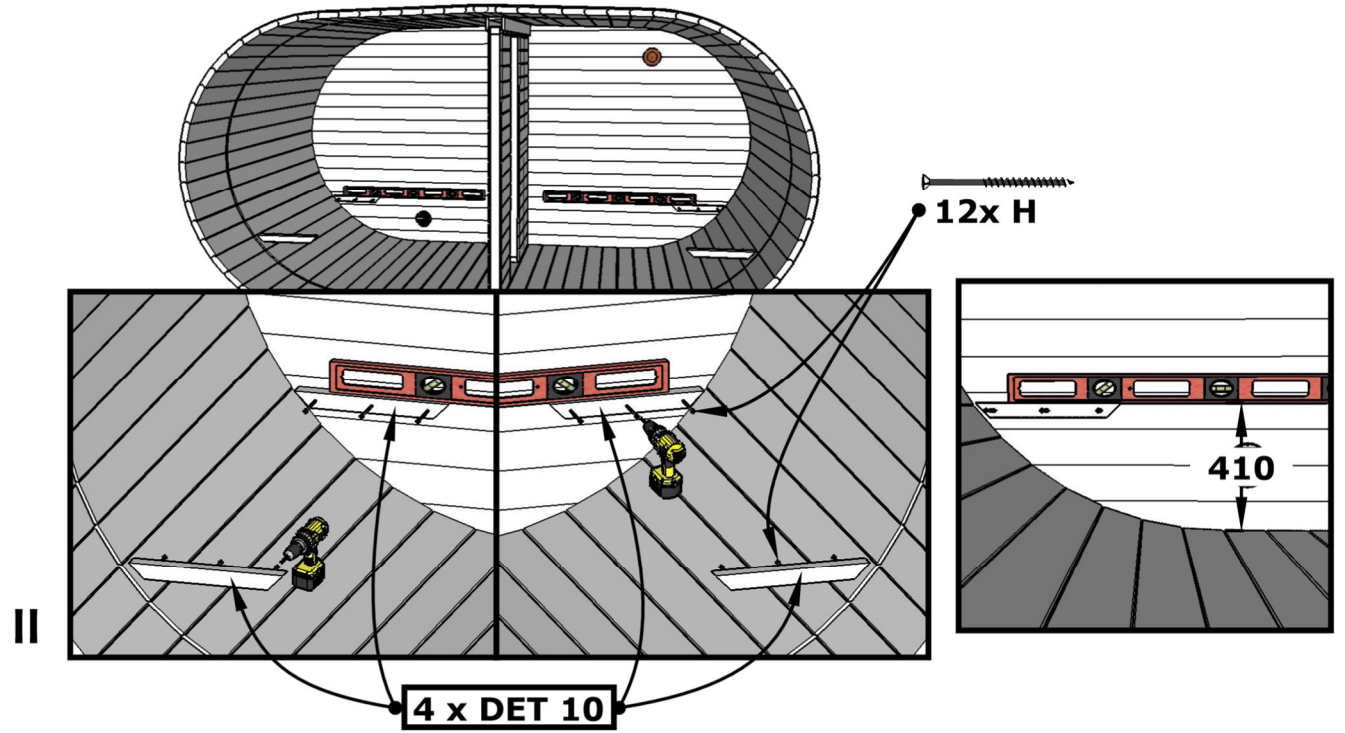


12x H

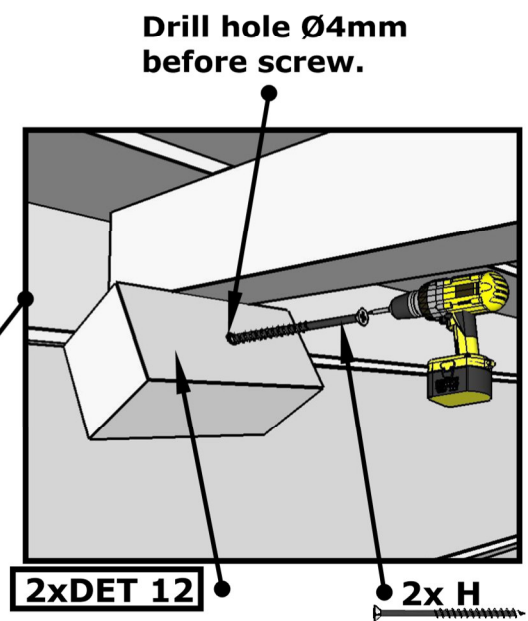
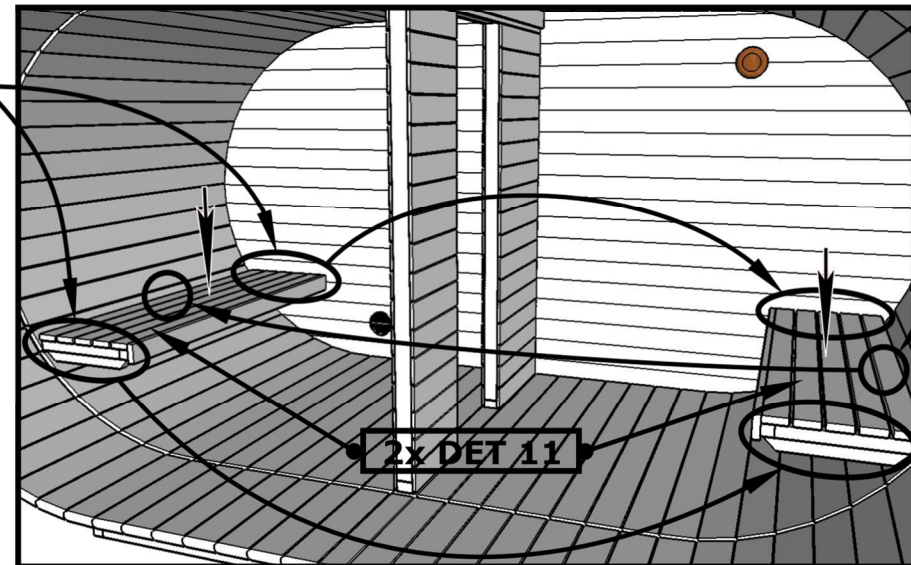
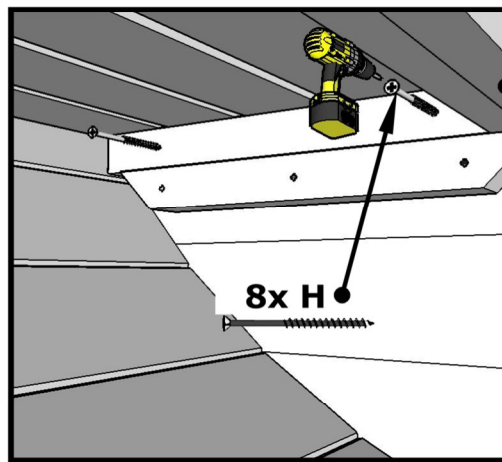
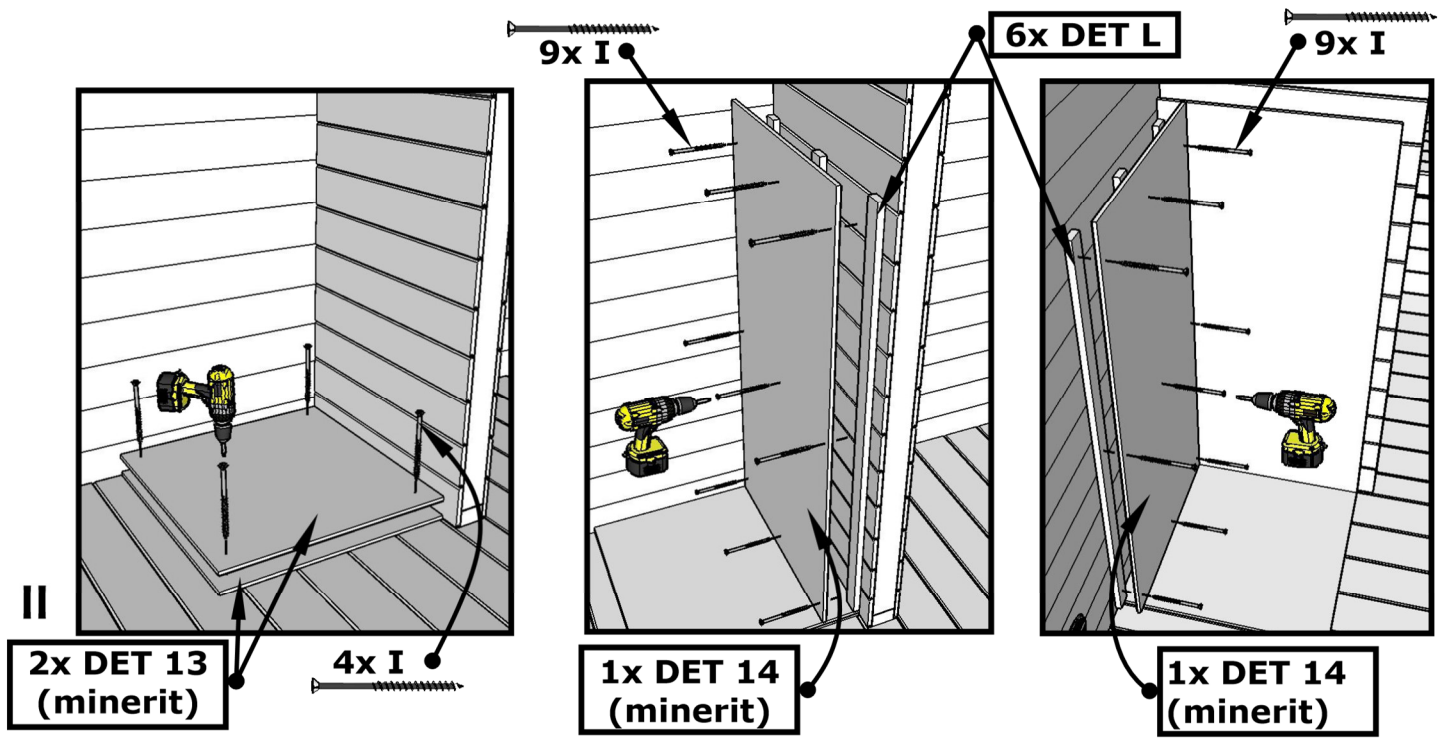


Middle of
DET 3
(sauna)

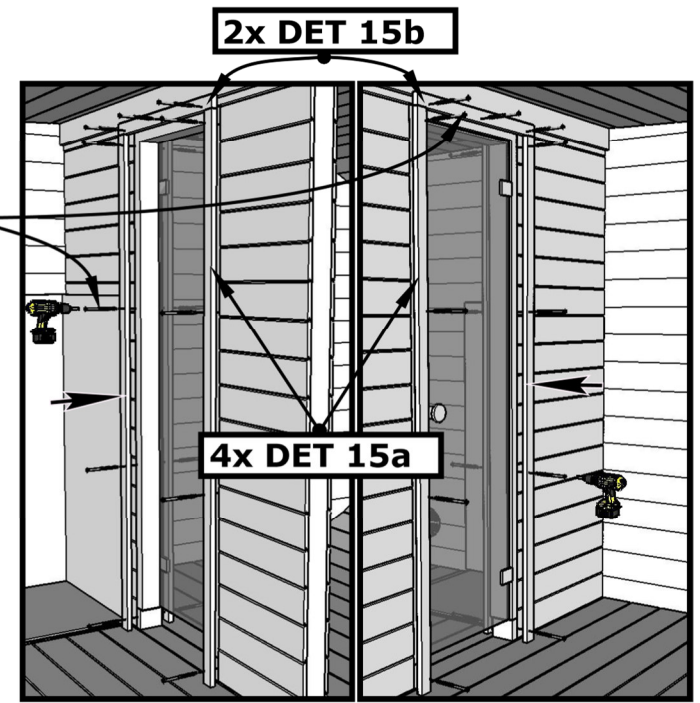
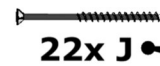
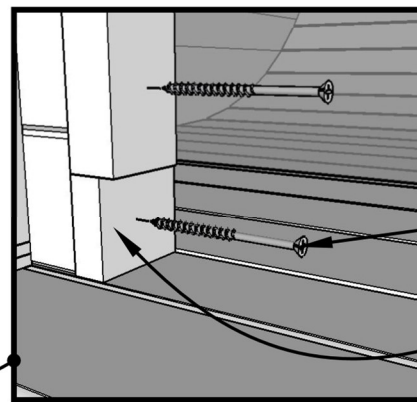
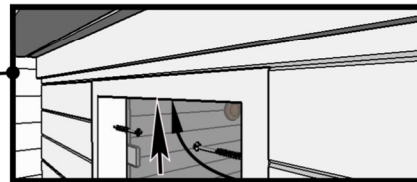
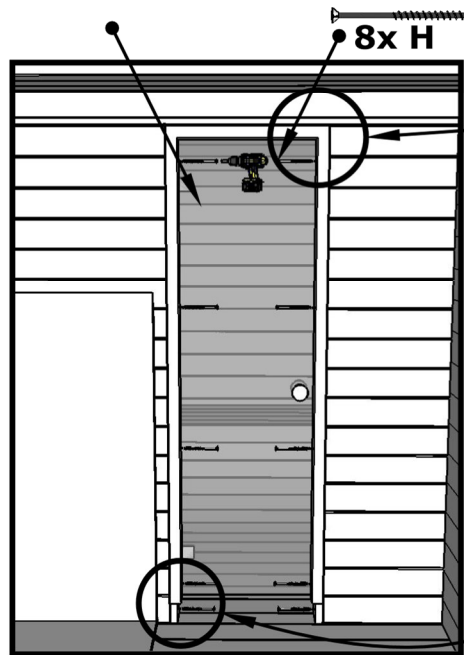
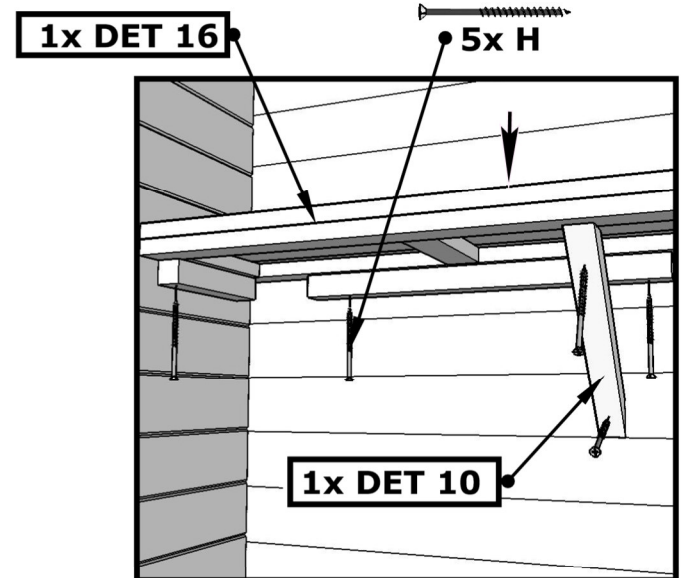
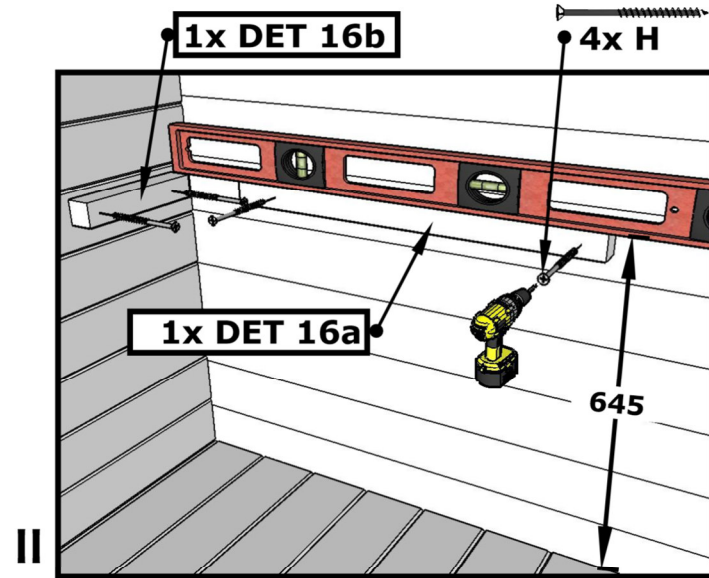
13.



I
14.



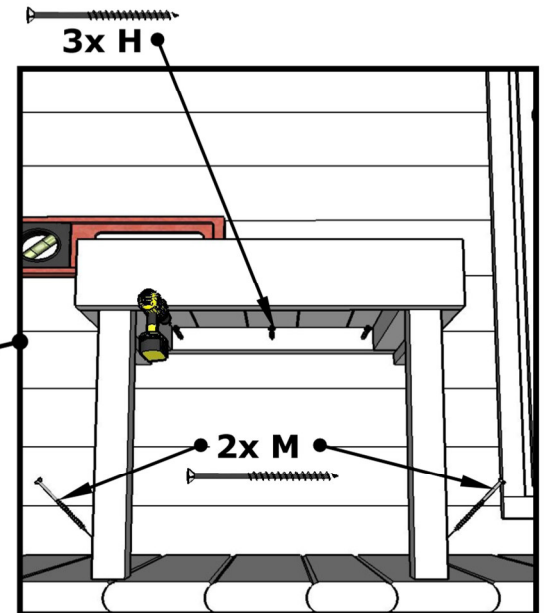
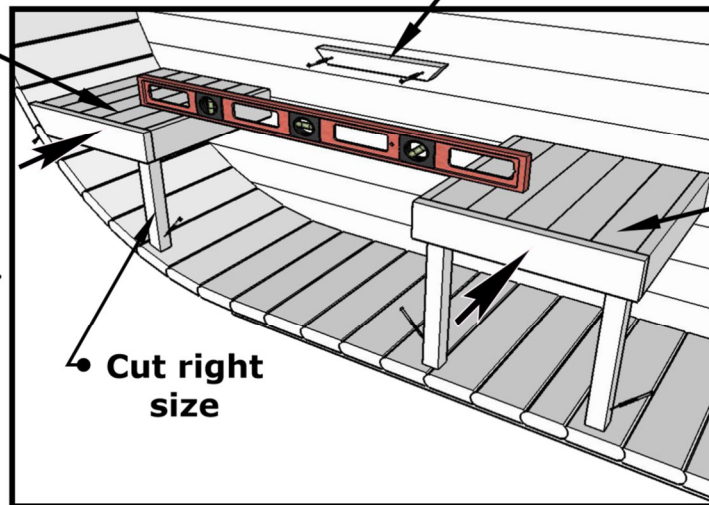
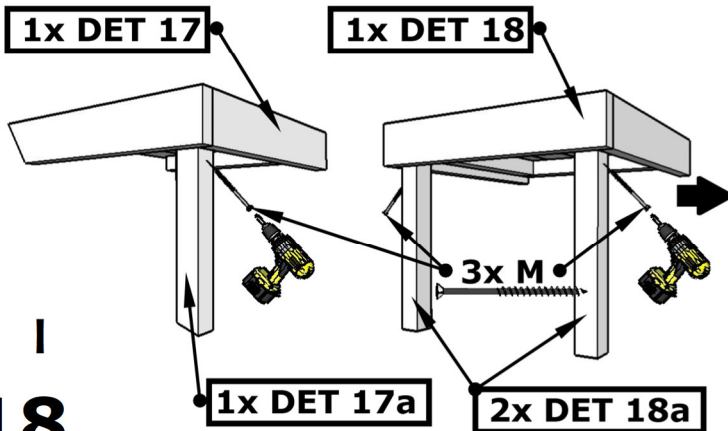
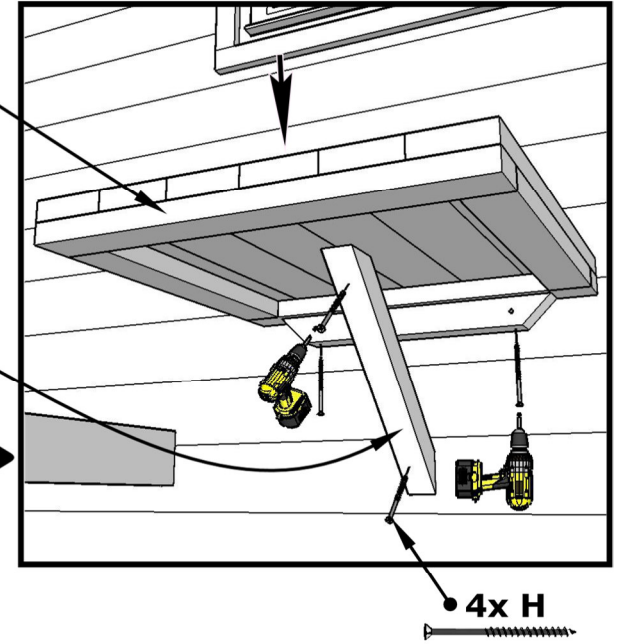
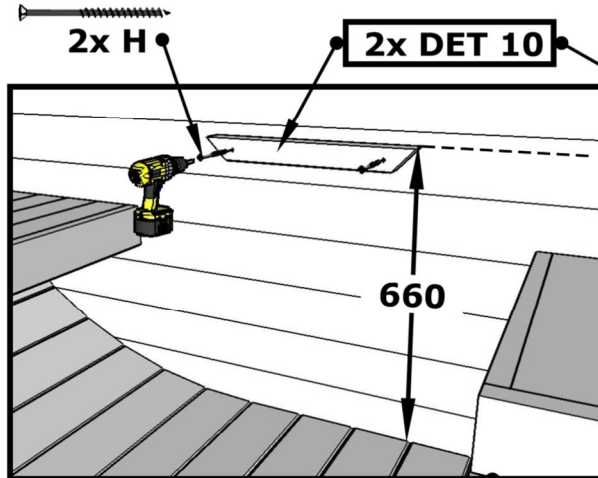
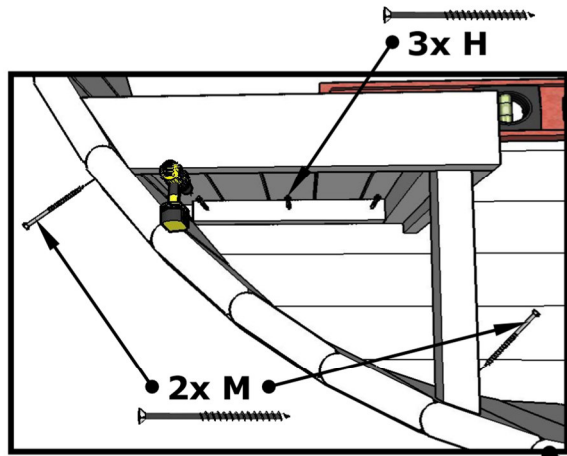
15.



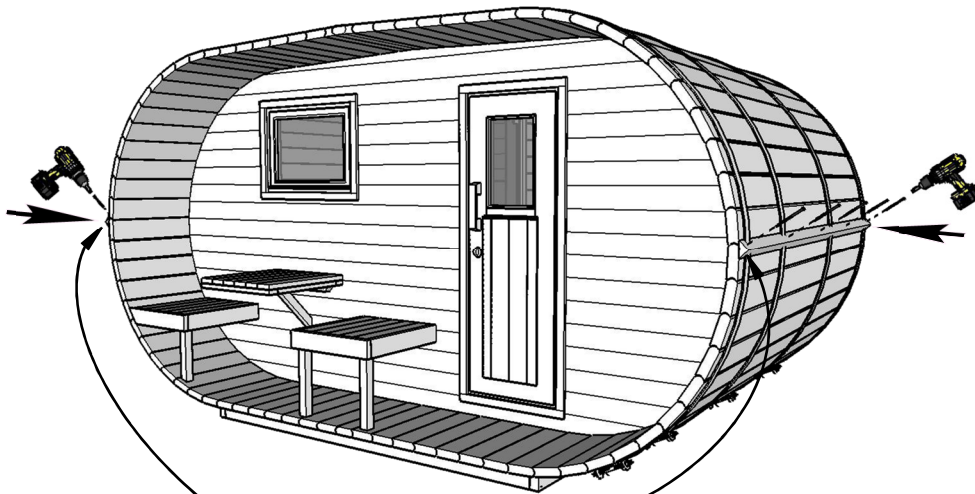
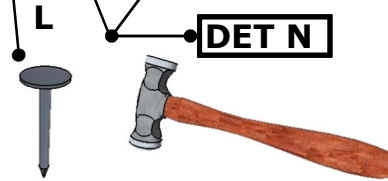
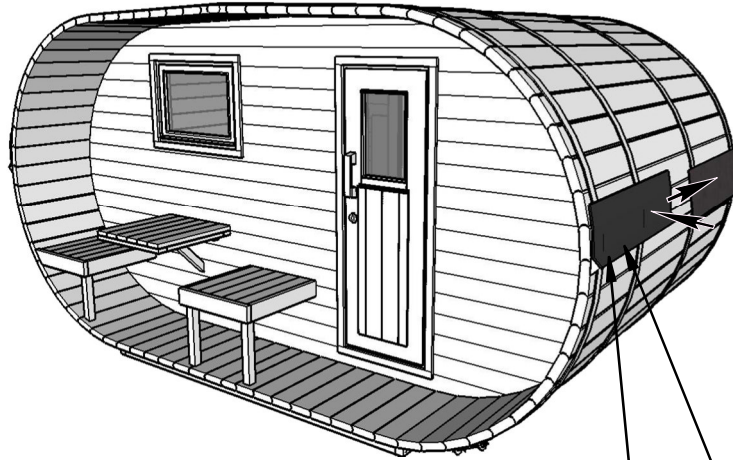
16.

1x DET 15

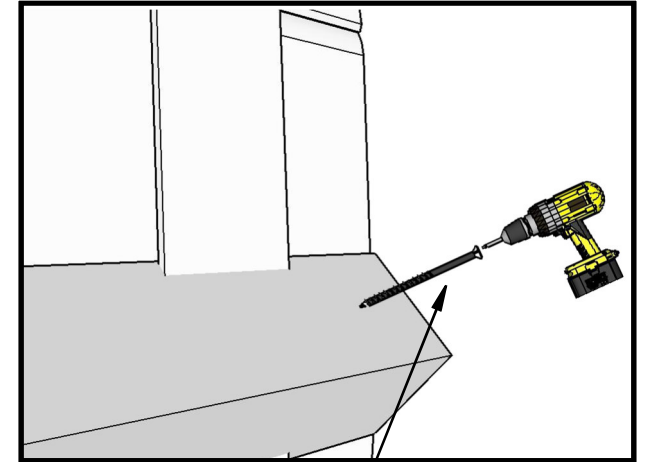
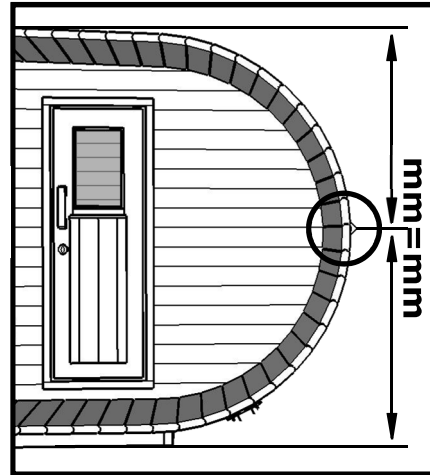
I
17.



18.



2x DET 2



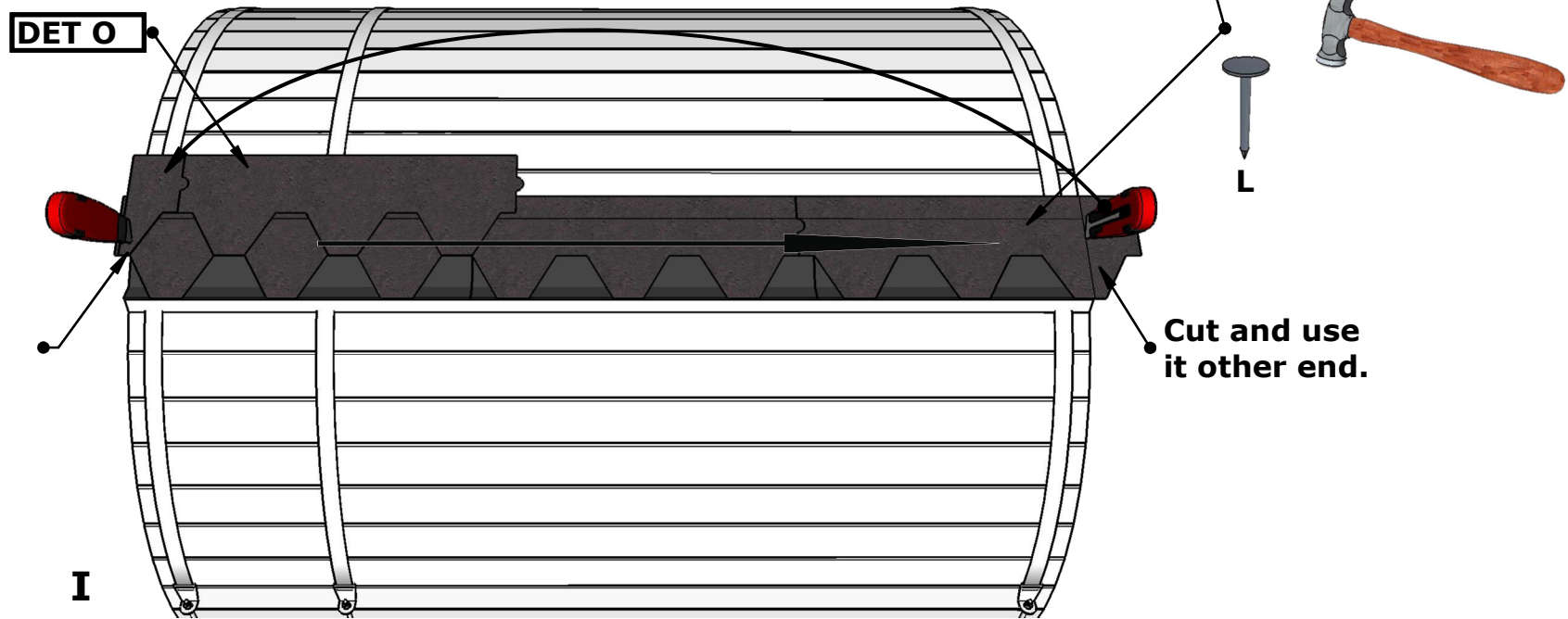
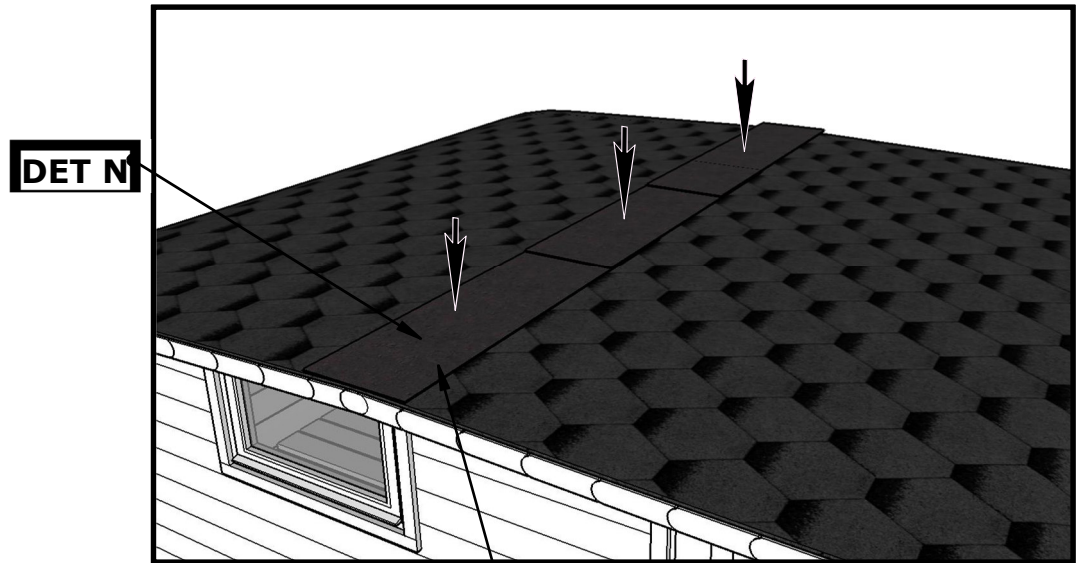
10x H

19.



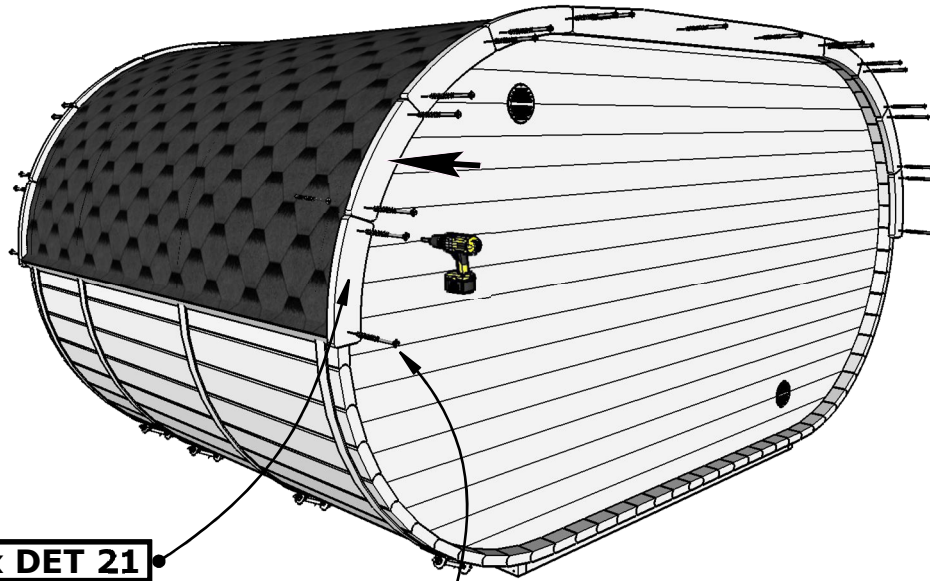
NB! Before shingles installation, underlay sheet MUST be installed. Check extra pages for instructions!

NB! Check also shingles installation manual inside package.



Cut

21.

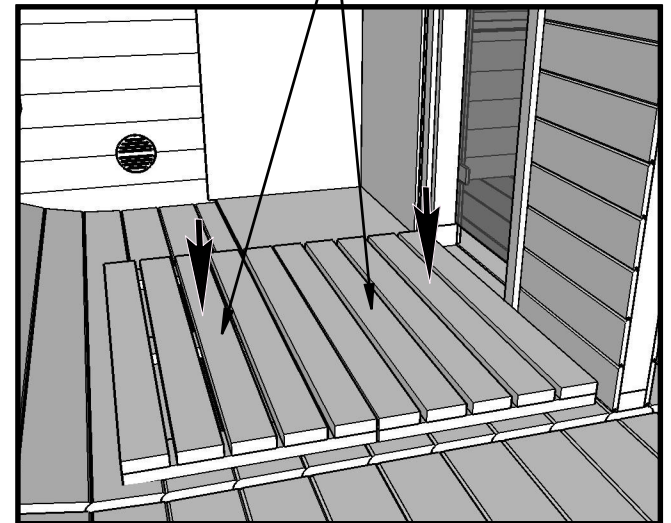


2x DET 22

16x DET 21

2x DET 23

40x H

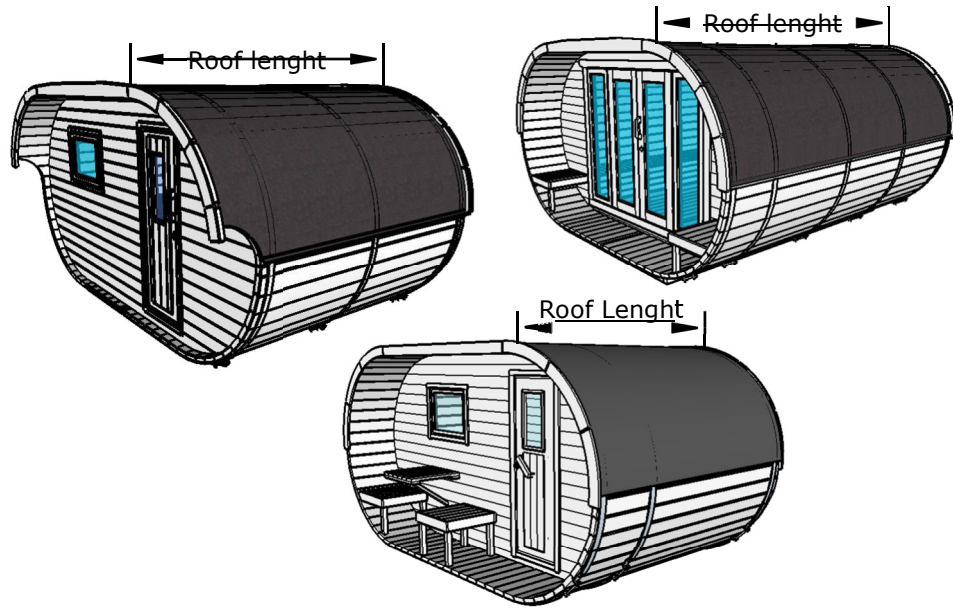


22.

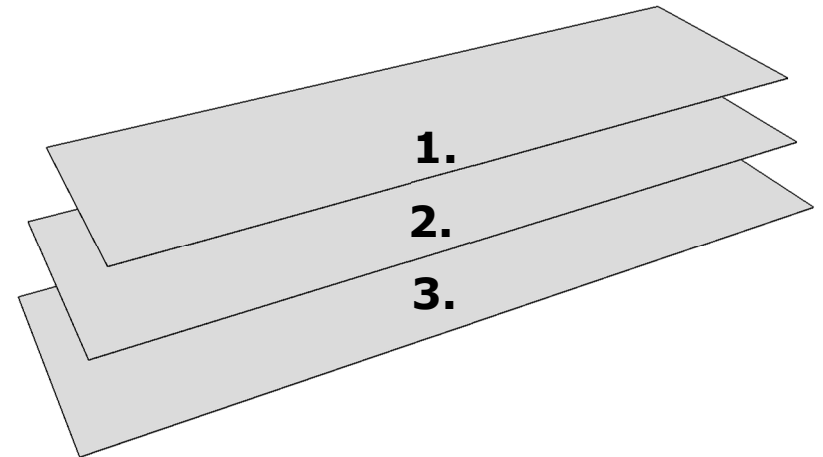
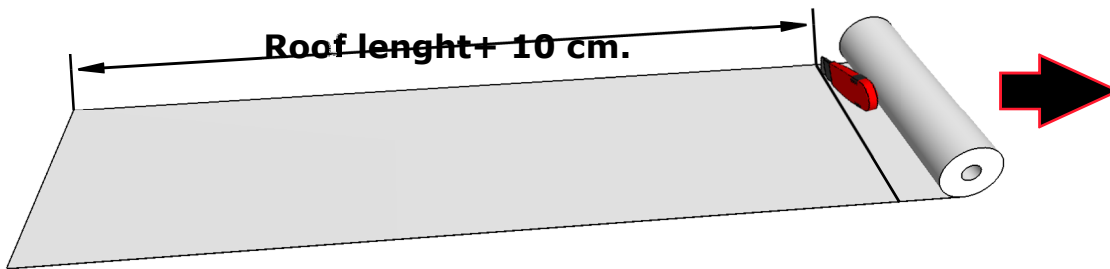
**Self-adhesive
UNDERLAY FELT**

1.

INSTALLATION MANUAL.

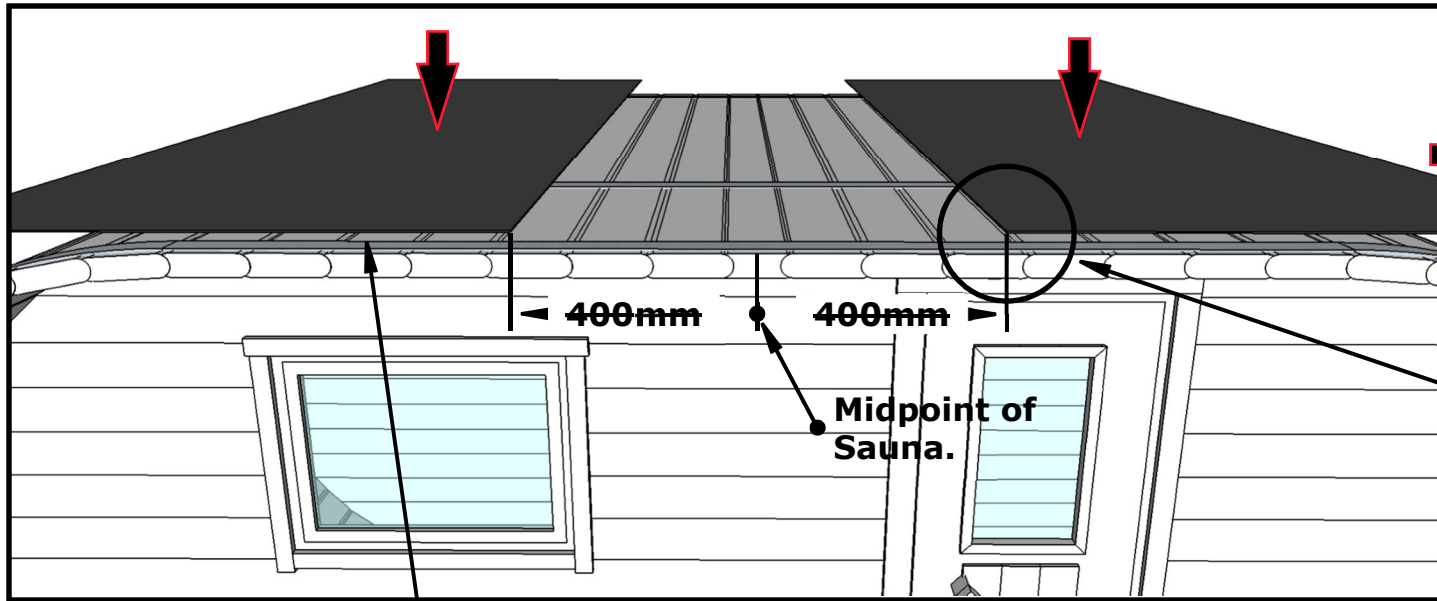


The temperature during installation should be a minimum of +10°C. In colder conditions, a hot air gun should be used. **Hot bitumen or torching must not be used when installing the felt.**

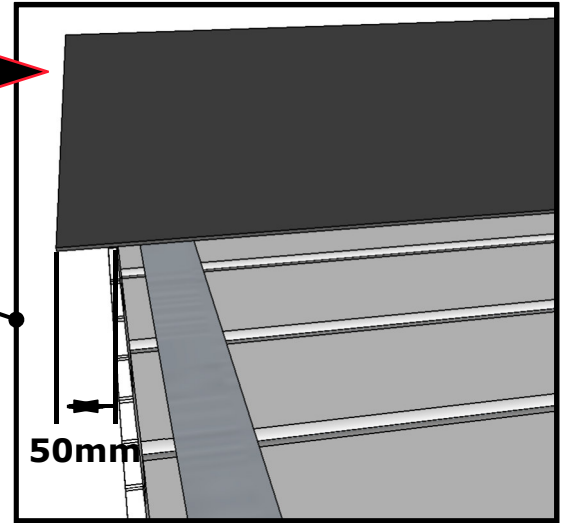


2. **I.**

II.



I.



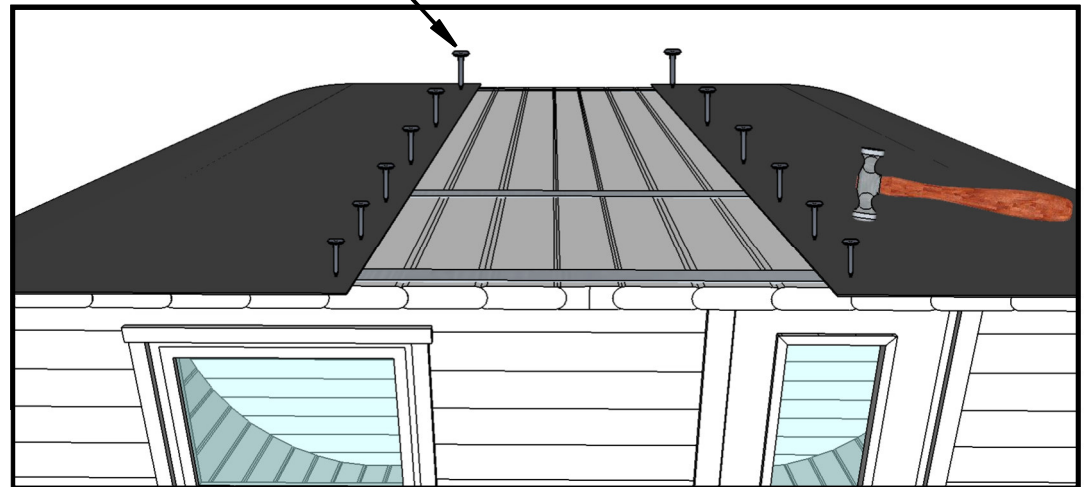
II.



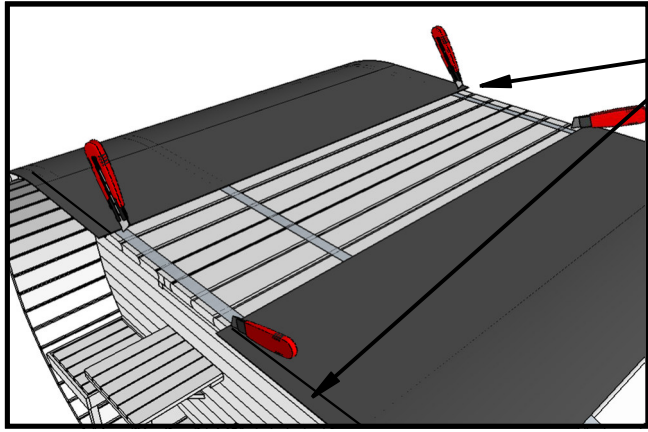
Before placing underlay felt, remove bottom film.

3.

Fix top side of underlay felt with clout nails every ~30 cm.



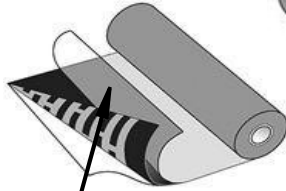
III.



I.

Remove top film.

Cut off the parts that extend over the edge of the roof.

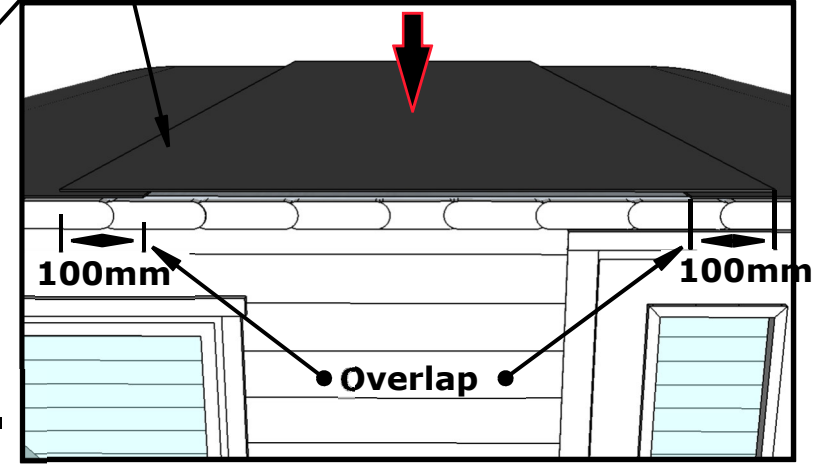


II.



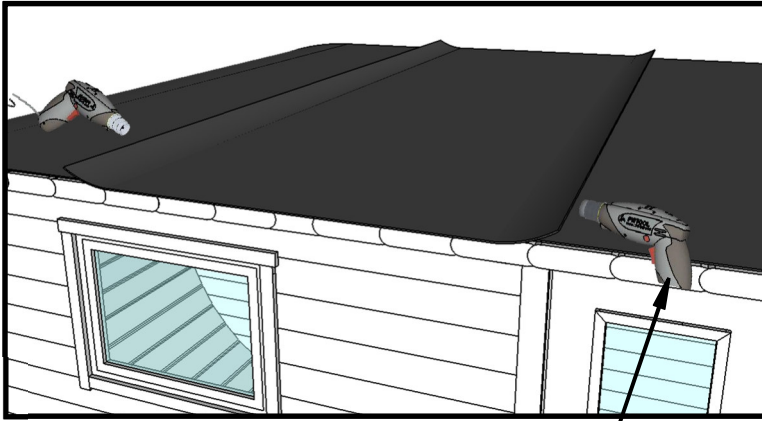
III.

Before placing underlay felt, remove bottom film.



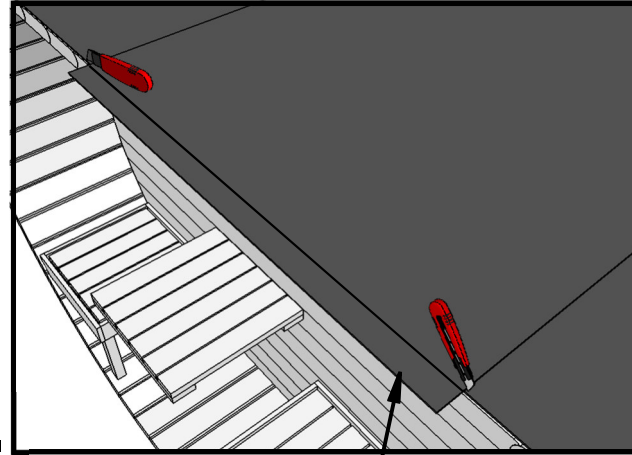
4.

IV.



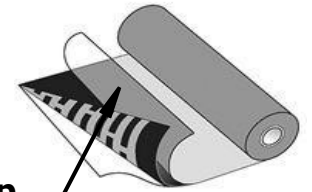
If necessary, use hot air gun to seal overlaps. Do not use torching!!! Do not use nails !!!

V.



Cut off the parts that extend over the edge of the roof.

Remove top film.



VI

■

5.